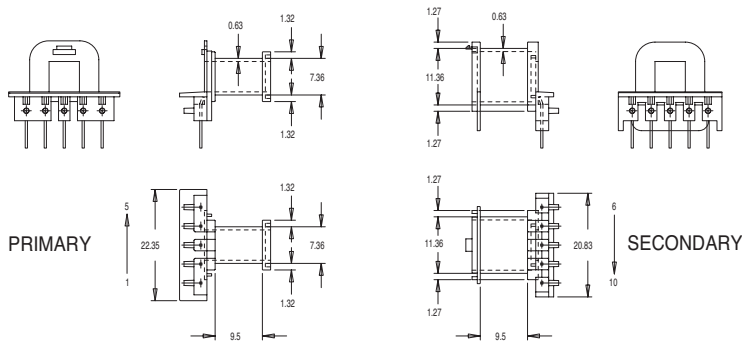
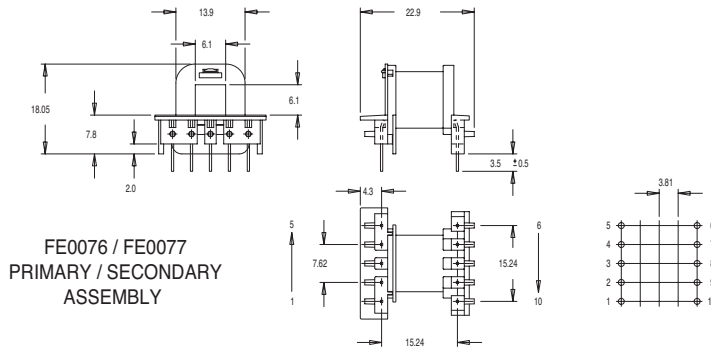




EF 20 HORIZONTAL (Primary & Secondary)



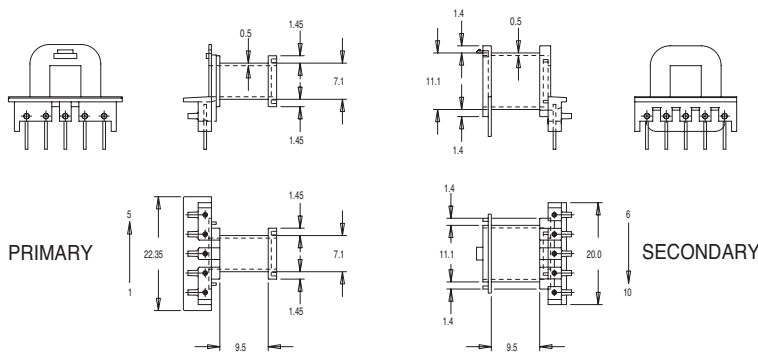
**FE0076 & FE0077
Assembly**



**FE0076 / FE0077
PRIMARY / SECONDARY
ASSEMBLY**



**FE0076
Primary Bobbin**

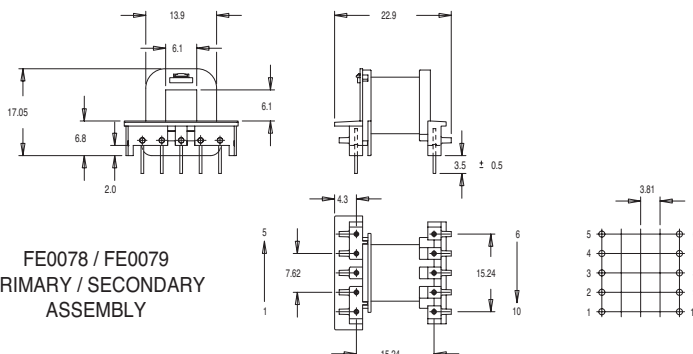


PRIMARY

SECONDARY



**FE0077
Secondary Bobbin**



**FE0078 / FE0079
PRIMARY / SECONDARY
ASSEMBLY**

*See page 12 for 16 pin conventional design EF20 bobbin.

Bobbin size	Description	No. of pins available	Pin size	Part No.
EF 20	Primary	5 (1 x 5)	0.45 Sq.	FE0076
EF 20	Secondary	5 (1 x 5)	0.45 Sq.	FE0077
EF 20	Primary	5 (1 x 5)	0.45 Sq.	FE0078
EF 20	Secondary	5 (1 x 5)	0.45 Sq.	FE0079

Standard materials: Nylon 46 glass reinforced to UL94V0
Pin material: Phosphor Bronze
Dimensions in millimetres

Miles Platts terminals & wire pins are lead-free - all polymers meet the REACH and RoHS directive (2002/95/EC). Please refer to www.milesplatts.co.uk for details.

