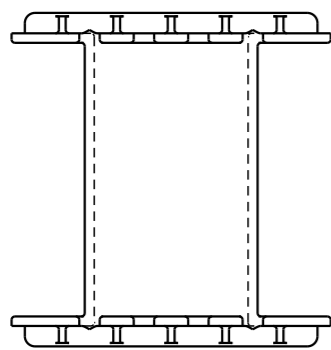
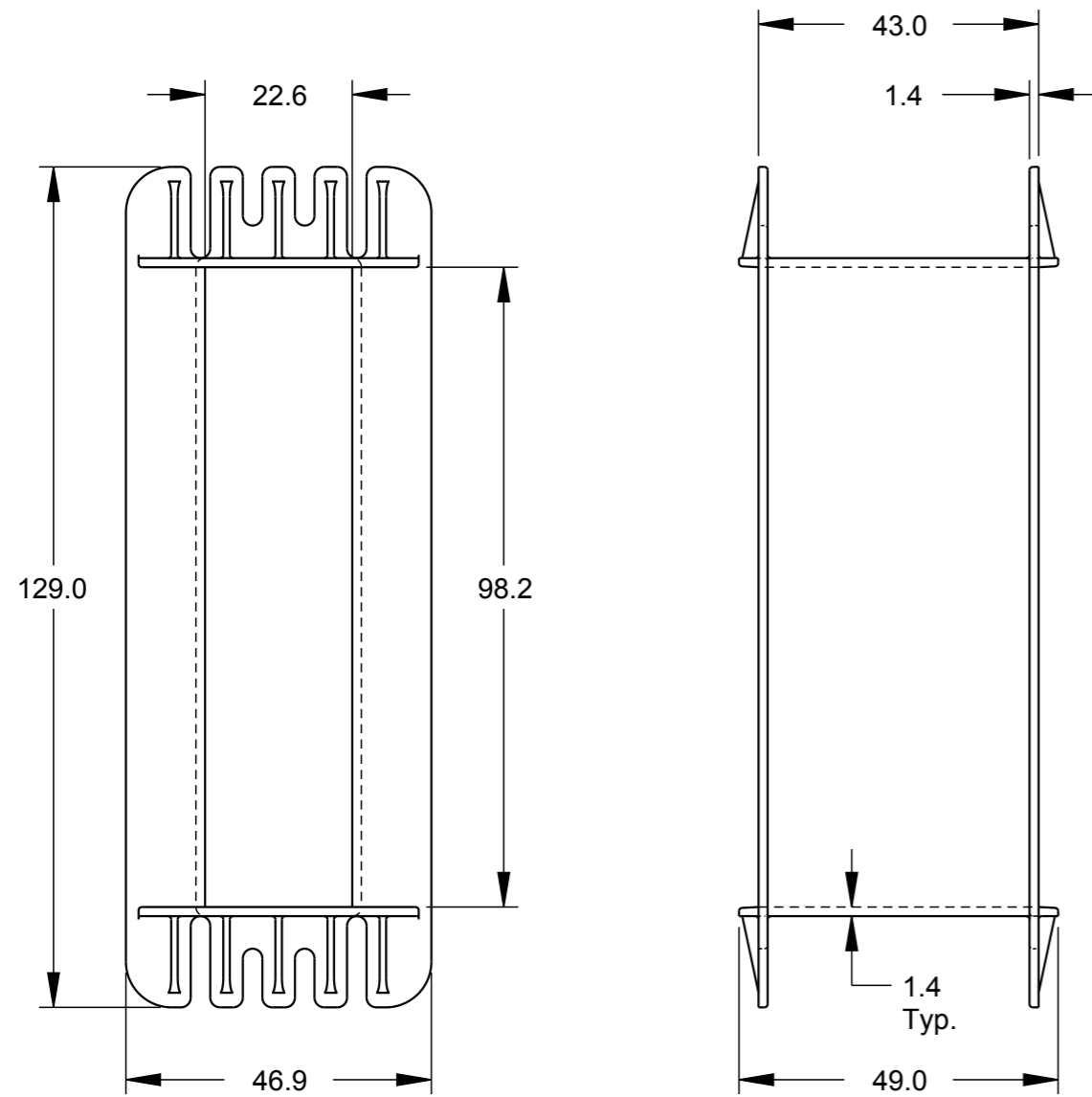


Part No. FE0410
E70/33/32 Triple Bobbin



Dimensions in millimetres.

Issue 1

| | | | |
|------|---------|----------|------|
| | | | |
| | | | |
| | | | |
| | | | |
| | | | |
| | | | |
| | | | |
| | | | |
| 01 | | 10/11/15 | A.M. |
| Iss. | ECN No. | Date. | App. |

CD790