

A Range

Coil Bobbins for UK/USA Format Laminations

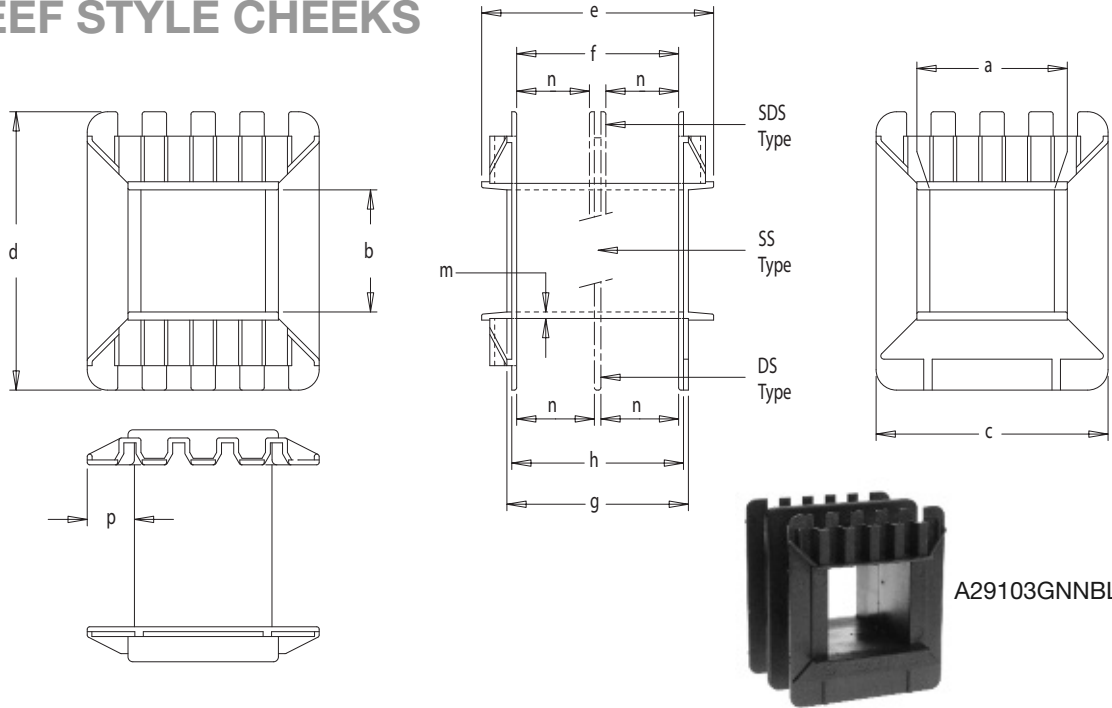
UK Patterns 35, 147, 29, 196 & 78

USA EI75, EI87, EI100, EI112 & EI125



MILES · PLATTS

EEEF STYLE CHEEKS



A29103GNNBLKEEF

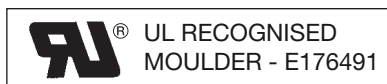
Standard material: Nylon 66 glass reinforced UL94HB or PET UL94V0

Dimensions in inches

Bobbin Size	US Lam. Size	Type	No. of lead slots	a	b	c	d	e	f	g	h	m	n	p	Core Material	Frame VA	Part Number
35 x 3/4	EI 75	SS	12 (3 x 4)	0.765	1.750	1.425	1.710	1.425	0.995	1.115	1.055	0.040		0.290	800-50	17	A35751GNNBLKEEF
35 x 3/4	EI 75	DS	12 (3 x 4)	0.765	1.750	1.425	1.710	1.425	0.995	1.115	1.055	0.040	0.477	0.290			A35752GNNBLKEEF
35 x 3/4	EI 75	SDS	12 (3 x 4)	0.765	1.750	1.425	1.710	1.425	0.995	1.115	1.055	0.040	0.447	0.280			A35753GNNBLKEEF
35 x 1	EI 75	SS	12 (3 x 4)	0.765	1.000	1.425	1.960	1.425	0.995	1.115	1.055	0.040		0.290	800-50	22	A35101GNNBLKEEF
35 x 1	EI 75	DS	12 (3 x 4)	0.765	1.000	1.425	1.960	1.425	0.995	1.115	1.055	0.040	0.477	0.290			A35102GNNBLKEEF
35 x 1	EI 75	SDS	12 (3 x 4)	0.765	1.000	1.425	1.960	1.425	0.995	1.115	1.055	0.040	0.447	0.280			A35103GNNBLKEEF
147 x 7/8	EI 87	SS	12 (3 x 4)	0.890	0.875	1.655	1.940	1.550	1.160	1.300	1.240	0.040		0.335	800-50	32	A47871GNNBLKEEF
147 x 7/8	EI 87	DS	12 (3 x 4)	0.890	0.875	1.655	1.940	1.550	1.160	1.300	1.240	0.040	0.560	0.335			A47872GNNBLKEEF
147 x 7/8	EI 87	SDS	12 (3 x 4)	0.890	0.875	1.655	1.940	1.550	1.160	1.300	1.240	0.040	0.527	0.325			A47873GNNBLKEEF
147 x 1	EI 87	SS	12 (3 x 4)	0.890	1.000	1.655	2.065	1.550	1.160	1.300	1.240	0.040		0.335	800-50	35	A47101GNNBLKEEF
147 x 1	EI 87	DS	12 (3 x 4)	0.890	1.000	1.655	2.065	1.550	1.160	1.300	1.240	0.040	0.560	0.335			A47102GNNBLKEEF
147 x 1	EI 87	SDS	12 (3 x 4)	0.890	1.000	1.655	2.065	1.550	1.160	1.300	1.240	0.040	0.527	0.325			A47103GNNBLKEEF
147 x 1 1/4	EI 87	SS	12 (3 x 4)	0.890	1.250	1.655	2.315	1.550	1.160	1.300	1.240	0.040		0.335	800-50	45	A47121GNNBLKEEF
147 x 1 1/4	EI 87	DS	12 (3 x 4)	0.890	1.250	1.655	2.315	1.550	1.160	1.300	1.240	0.040	0.560	0.335			A47122GNNBLKEEF
147 x 1 1/4	EI 87	SDS	12 (3 x 4)	0.890	1.250	1.655	2.315	1.550	1.160	1.300	1.240	0.040	0.527	0.325			A47123GNNBLKEEF
29 x 1	EI 100	SS	15 (3 X 5)	1.015	1.000	1.918	2.185	1.810	1.340	1.490	1.420	0.045		0.406	800-50	55	A29101GNNBLKEEF
29 x 1	EI 100	DS	15 (3 X 5)	1.015	1.000	1.918	2.185	1.810	1.340	1.490	1.420	0.045	0.648	0.406			A29102GNNBLKEEF
29 x 1	EI 100	SDS	15 (3 X 5)	1.015	1.000	1.918	2.185	1.810	1.340	1.490	1.420	0.045	0.617	0.396			A29103GNNBLKEEF
29 x 1 1/4	EI 100	SS	15 (3 X 5)	1.015	1.250	1.918	2.436	1.810	1.340	1.490	1.420	0.045		0.406	800-50	77	A29121GNNBLKEEF
29 x 1 1/4	EI 100	DS	15 (3 X 5)	1.015	1.250	1.918	2.436	1.810	1.340	1.490	1.420	0.045	0.648	0.406			A29122GNNBLKEEF
29 x 1 1/4	EI 100	SDS	15 (3 X 5)	1.015	1.250	1.918	2.436	1.810	1.340	1.490	1.420	0.045	0.617	0.396			A29123GNNBLKEEF
29 x 1 1/2	EI 100	SS	15 (3 X 5)	1.015	1.500	1.918	2.686	1.810	1.340	1.490	1.420	0.045		0.406	800-50	90	A29151GNNBLKEEF
29 x 1 1/2	EI 100	DS	15 (3 X 5)	1.015	1.500	1.918	2.686	1.810	1.340	1.490	1.420	0.045	0.648	0.406			A29152GNNBLKEEF
29 x 1 1/2	EI 100	SDS	15 (3 X 5)	1.015	1.500	1.918	2.686	1.810	1.340	1.490	1.420	0.045	0.617	0.396			A29153GNNBLKEEF
196 x 1 1/8	EI 112	SS	15 (3 X 5)	1.140	1.125	2.150	2.435	1.975	1.535	1.675	1.615	0.045		0.406	800-50	100	A96111GNNBLKEEF
196 x 1 1/8	EI 112	DS	15 (3 X 5)	1.140	1.125	2.150	2.435	1.975	1.535	1.675	1.615	0.045	0.747	0.460			A96112GNNBLKEEF
196 x 1 1/8	EI 112	SDS	15 (3 X 5)	1.140	1.125	2.150	2.435	1.975	1.535	1.675	1.615	0.045	0.714	0.450			A96113GNNBLKEEF
78 x 1 1/4	EI 125	SS	21 (3 X 7)	1.270	1.250	2.400	2.700	2.200	1.714	1.854	1.794	0.050		0.500	800-50	134	A78121GNNBLKEEF
78 x 1 1/4	EI 125	DS	21 (3 X 7)	1.270	1.250	2.400	2.700	2.200	1.714	1.854	1.794	0.050	0.837	0.500			A78122GNNBLKEEF
78 x 1 1/4	EI 125	SDS	21 (3 X 7)	1.270	1.250	2.400	2.700	2.200	1.714	1.854	1.794	0.050	0.804	0.490			A78123GNNBLKEEF

Standard material and colour shown. Also available as FGN-NAT (to UL94V0)

Most products are available direct from stock with same day despatch - please contact sales for details



Section 3

13

Section 3