

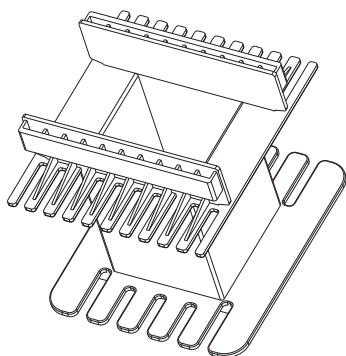


Large Metric Range

Large metric bobbins with moulded terminal mounting strips

EI75, EI84, EI96, EI120 & EI150 lamination sizes
Single Section (SS) - Terminal Blocks Available

EI 75, E 84, EI 96, EI 120 & EI 150



See page 44
for terminal
blocks

Section 4

Part Number	Description
E0750214GN6NAT	EI75 x 21.5 SS bobbin with terminal MTG strip slotted cheek
E0750215GN6NAT	EI75 x 21.5 SS bobbin with terminal MTG strip plain cheek
E0750264GN6NAT	EI75 x 26.5 SS bobbin with terminal MTG strip slotted cheek
E0750265GN6NAT	EI75 x 26.5 SS bobbin with terminal MTG strip plain cheek
E0750324GN6NAT	EI75 x 32.7 SS bobbin with terminal MTG strip slotted cheek
E0750325GN6NAT	EI75 x 32.7 SS bobbin with terminal MTG strip plain cheek
E0750414GN6NAT	EI75 x 41.5 SS bobbin with terminal MTG strip slotted cheek
E0750415GN6NAT	EI75 x 41.5 SS bobbin with terminal MTG strip plain cheek
E0840294GN6NAT	EI84 x 29.5 SS bobbin with terminal MTG strip slotted cheek
E0840295GN6NAT	EI84 x 29.5 SS bobbin with terminal MTG strip plain cheek
E0840434GN6NAT	EI84 x 43.7 SS bobbin with terminal MTG strip slotted cheek
E0840435GN6NAT	EI84 x 43.7 SS bobbin with terminal MTG strip plain cheek
E0840524GN6NAT	EI84 x 52.5 SS bobbin with terminal MTG strip slotted cheek
E0840525GN6NAT	EI84 x 52.5 SS bobbin with terminal MTG strip plain cheek
E0960354GN6NAT	EI96 x 35.7 SS bobbin with terminal MTG strip slotted cheek
E0960355GN6NAT	EI96 x 35.7 SS bobbin with terminal MTG strip plain cheek
E0960454GN6NAT	EI96 x 45.7 SS bobbin with terminal MTG strip slotted cheek
E0960455GN6NAT	EI96 x 45.7 SS bobbin with terminal MTG strip plain cheek
E0960594GN6NAT	EI96 x 59.7 SS bobbin with terminal MTG strip slotted cheek
E0960595GN6NAT	EI96 x 59.7 SS bobbin with terminal MTG strip plain cheek
E1200414GN6NAT	EI120 x 41.8 SS bobbin with terminal MTG strip slotted cheek
E1200415GN6NAT	EI120 x 41.8 SS bobbin with terminal MTG strip plain cheek
E1200534GN6NAT	EI120 x 53.8 SS bobbin with terminal MTG strip slotted cheek
E1200535GN6NAT	EI120 x 53.8 SS bobbin with terminal MTG strip plain cheek
E1200614GN6NAT	EI120 x 61.8 SS bobbin with terminal MTG strip slotted cheek
E1200614GN6NAT	EI120 x 61.8 SS bobbin with terminal MTG strip slotted cheek
E1200615GN6NAT	EI120 x 61.8 SS bobbin with terminal MTG strip plain cheek
E1200734GN6NAT	EI120 x 73.8 SS bobbin with terminal MTG strip slotted cheek
E1200735GN6NAT	EI120 x 73.8 SS bobbin with terminal MTG strip plain cheek
E1500494GN6NAT	EI150 x 49.6 SS bobbin with terminal MTG strip slotted cheek
E1500664GN6NAT	EI150 x 66.6 SS bobbin with terminal MTG strip slotted cheek
E1500924GN6NAT	EI150 x 92.6 SS bobbin with terminal MTG strip slotted cheek



SS= Single section, 2FL format. All dimensions in mm.
Standard material: Nylon 6 glass reinforced to UL94HB.

Most products are available direct from stock with same day despatch - please contact sales for details

