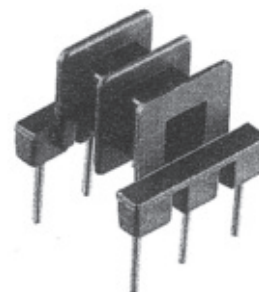
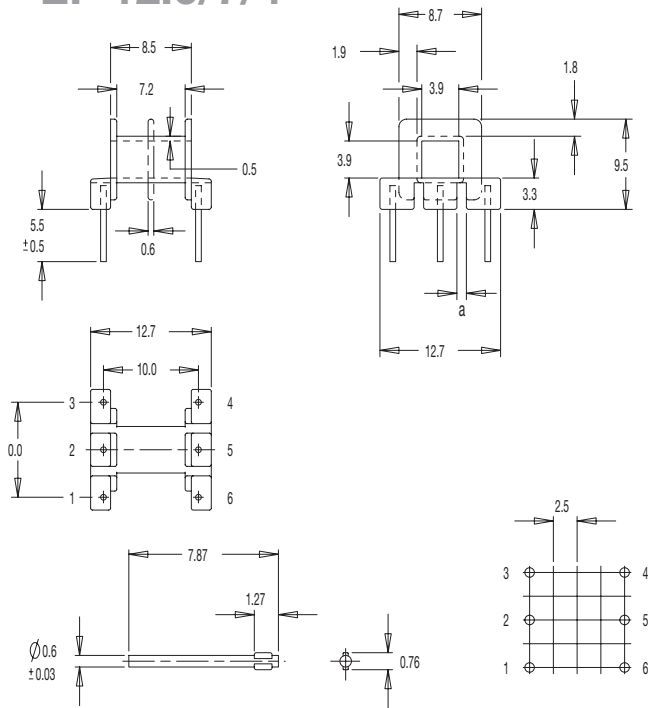




EF 12.6/7/4

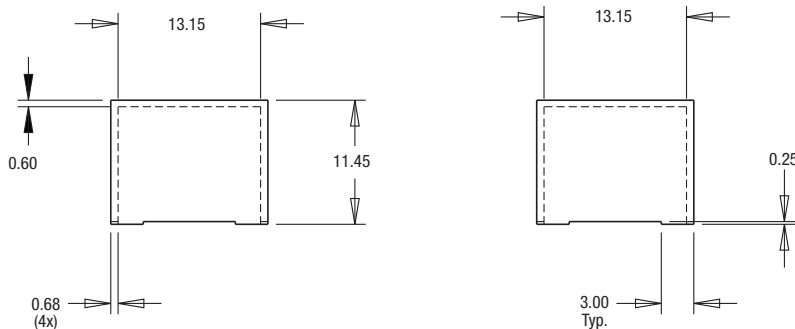


Pin: TNS 024-310

Bobbin size	Type	No. of pins available	Pin size	a	Part No.
EF 12.6/7/4	SS	6 (2 x 3)	Ø0.6	1.0	FE0010
EF 12.6/7/4	DS	6 (2 x 3)	Ø0.6	1.0	FE0011
EF 12.6/7/4	DS	6 (2 x 3)	Ø0.6	2.5	FE0055
EF 12.6/7/4	SS	6 (2 x 3)	0.45sq		FE0012

Standard materials: Nylon 66 glass reinforced /
Nylon 66 glass reinforced to UL94V0
Pin material: Nickel Silver Dimensions in millimetres

EF 12.6 Box



Description	Part No.
EF 12.6 Box	FE0020

Standard materials: Nylon 66 glass reinforced to
UL94HB/Nylon 66 glass reinforced to UL94V0

Dimensions in millimetres