



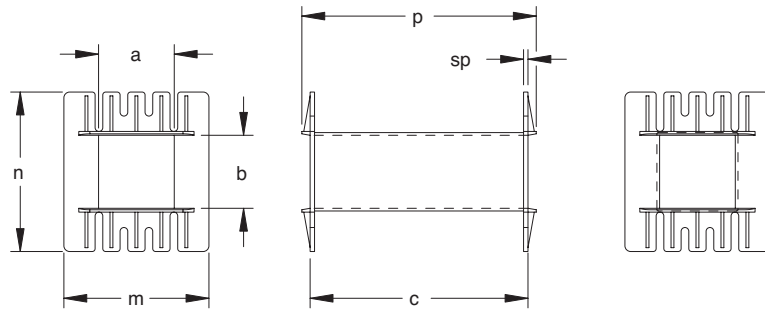
Large Metric Range Coil Bobbins for Metric Laminations

UI150 & UI180

Single Section (SS) & Double Section (DS)

No Terminals

UI 150 BOBBINS



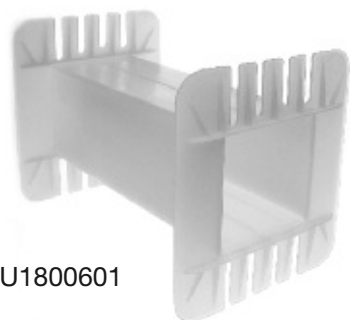
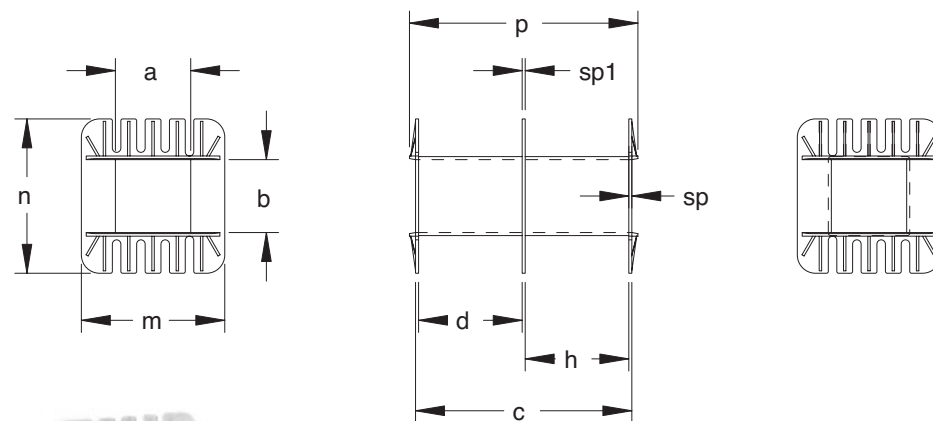
U1500701

Bobbin Size	Type	a	b	c	sp	m	n	p	Part No
UI 150/50	SS	51.0	50.0	149.0	2.0	97.5	107.0	157.0	U1500501
UI 150/60	SS	51.0	60.0	149.0	2.0	97.5	117.0	157.0	U1500601
UI 150/70	SS	51.0	70.0	149.0	2.0	97.5	128.0	157.0	U1500701
UI 150/80	SS	51.0	80.0	149.0	2.0	97.5	138.0	157.0	U1500801
UI 150/90	SS	51.0	90.0	149.0	2.0	97.5	147.0	157.0	U1500901
UI 150/100	SS	51.0	100.0	149.0	2.0	99.0	157.0	157.0	U1501001

Standard material: Nylon 6 glass reinforced

Dimensions in millimetres

UI 180 BOBBINS



U1800601

Bobbin Size	Type	a	b	c	d	h	sp/sp1	m	n	p	Part No
UI 180/60	SS	61.0	60.0	180.0			2.0	118.0	128.0	188.0	U1800601
UI 180/70	SS	61.0	70.0	180.0			2.0	118.0	137.0	188.0	U1800701
UI 180/70	DS	61.0	70.0	180.0	85.0	87.0	2.0	118.0	137.0	188.0	U1800702
UI 180/80	SS	61.0	80.0	180.0			2.0	118.0	149.0	188.0	U1800801
UI 180/90	SS	61.0	90.0	180.0			2.0	118.0	158.0	188.0	U1800901

Standard material: Nylon 6 glass reinforced

Dimensions in millimetres