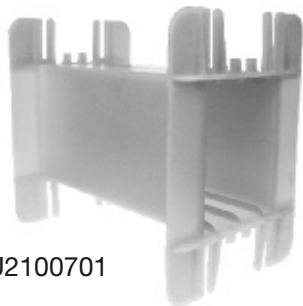
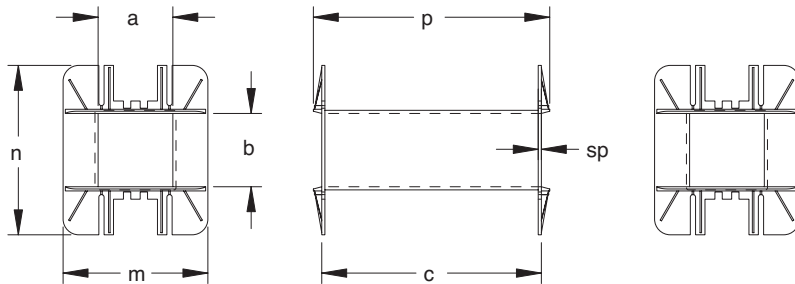




# Large Metric Range Coil Bobbins for Metric Laminations

UI210  
Single Section (SS)  
No Terminals

## UI 210 BOBBINS (Style 1)



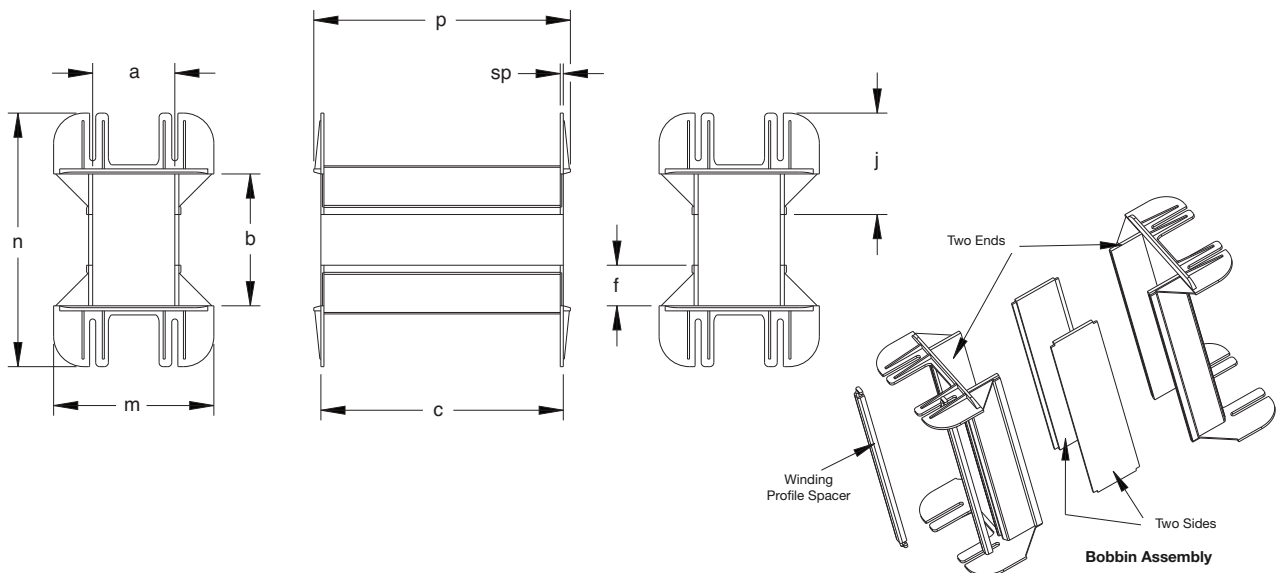
U2100701

Bobbin Size	Type	a	b	c	sp	m	n	p	Part No
UI 210/70	SS	70.0	70.0	210.0	3.0	139.0	162.0	221.0	U2100701
UI 210/80	SS	70.0	80.0	210.0	3.0	139.0	172.0	221.0	U2100801
UI 210/90	SS	70.0	90.0	210.0	3.0	139.0	193.0	221.0	U2100901
UI 210/100	SS	70.0	100.0	210.0	3.0	139.0	193.0	221.0	U2101001

Standard materials: Nylon 6 glass reinforced

Dimensions in millimetres

## UI 210 BOBBINS (Style 2)



Bobbin Size	Type	a	b	c	f	j	sp	m	n	p	Assembly part no	End part No	Side Part No
UI 210/110	SS	71.0	110.0	210.0	35.0	81.0	3.0	139.0	202.0	221.0	U2101101	UE210000	US210110
UI 210/120	SS	71.0	120.0	210.0	35.0	81.0	3.0	139.0	212.0	221.0	U2101201	UE210000	US210120
UI 210/130	SS	71.0	130.0	210.0	35.0	81.0	3.0	139.0	222.0	221.0	U2101301	UE210000	US210130
UI 210/140	SS	71.0	140.0	210.0	35.0	81.0	3.0	139.0	232.0	221.0	U2101401	UE210000	US210140

Standard material: Nylon 6 glass reinforced

Dimensions in millimetres