



MILES · PLATTS

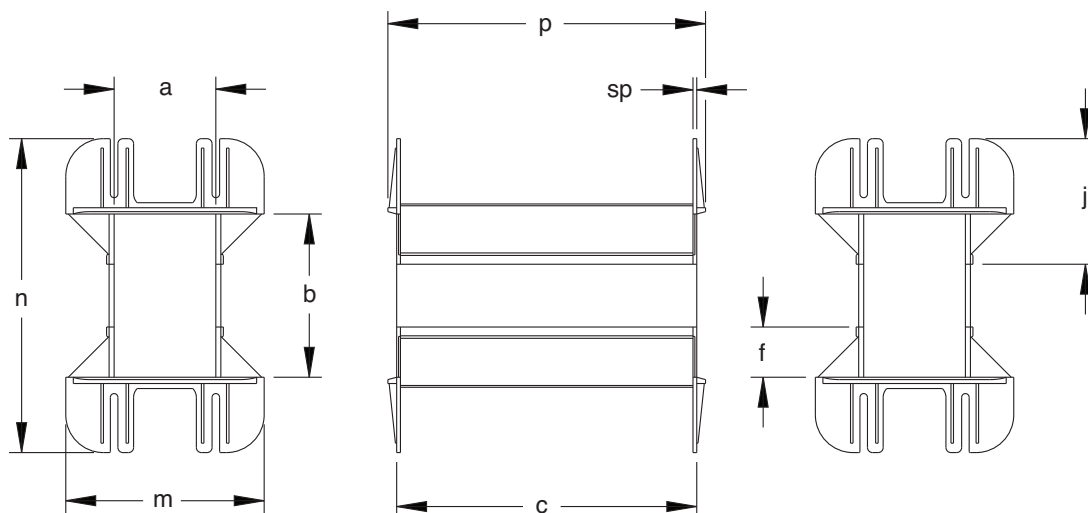
Large Metric Range Coil Bobbins for Metric Laminations

UI240

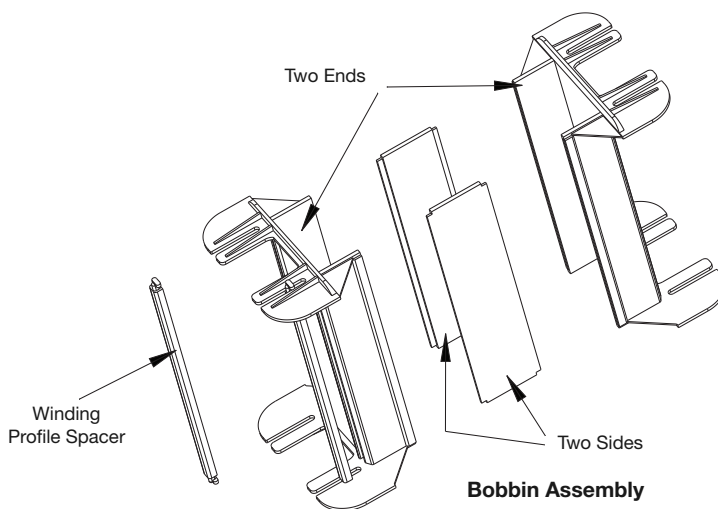
Single Section (SS)

No Terminals

UI 240 BOBBINS



UE240000GN6NAT



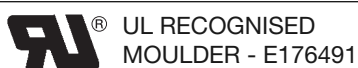
Bobbin Assembly

Bobbin Size	Type	a	b	c	f	j	sp	m	n	p	Assembly part no	End part No	Side Part No
UI 240/80	SS	81,5	80,0	240,0	40,0	100,0	3,0	160,0	200,0	252,0	U2400801	UE240000	USP240080
UI 240/90	SS	81,5	90,0	240,0	40,0	100,0	3,0	160,0	210,0	252,0	U2400901	UE240000	USP240090
UI 240/100	SS	81,5	100,0	240,0	40,0	100,0	3,0	160,0	220,0	252,0	U2401001	UE240000	USP240100
UI 240/110	SS	81,5	110,0	240,0	40,0	100,0	3,0	160,0	230,0	252,0	U2401101	UE240000	USP240110
UI 240/120	SS	81,5	120,0	240,0	40,0	100,0	3,0	160,0	240,0	252,0	U2401201	UE240000	USP240120
UI 240/130	SS	81,5	130,0	240,0	40,0	100,0	3,0	160,0	250,0	252,0	U2401301	UE240000	USP240130
UI 240/140	SS	81,5	140,0	240,0	40,0	100,0	3,0	160,0	260,0	252,0	U2401401	UE240000	USP240140
UI 240/150	SS	81,5	150,0	240,0	40,0	100,0	3,0	160,0	270,0	252,0	U2401501	UE240000	USP240150

Standard materials: Nylon 66 glass reinforced / Nylon 66 glass reinforced to UL94V0

Dimensions in millimetres

For further technical information please contact sales
Tel: +44 (0) 116 264 3850 Fax: +44 (0) 116 264 3851
Email: enquiries@milesplatts.co.uk
Web: www.milesplatts.co.uk



Section 4

40

Section 4