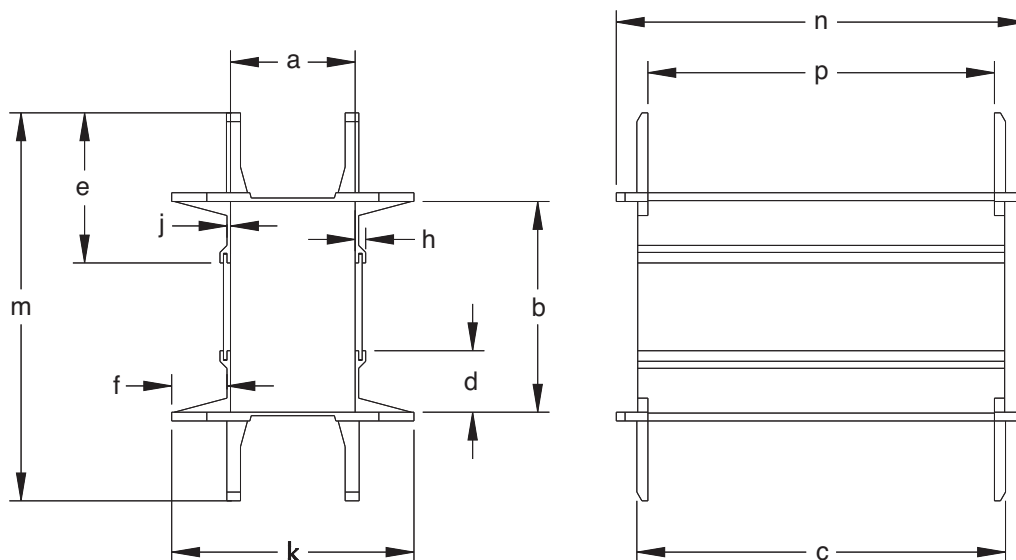




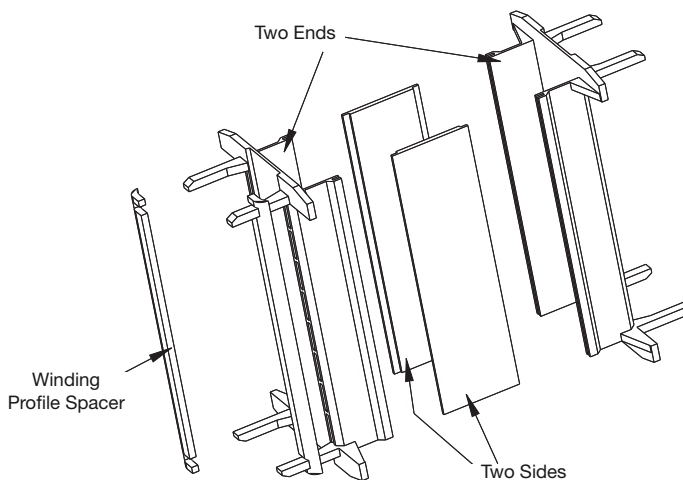
# Large Metric Range Coil Bobbins for Metric Laminations

UI300  
Single Section (SS)  
No Terminals

## UI 300 BOBBINS



UE300000GN6NAT



**Bobbin Assembly**

Bobbin Size	Type	a	b	c	d	e	f	h	j	k	m	n	p	Assembly Part No.	End Part No.	Side Part No.
UI 300/80	SS	100.0	80.0	300.0	40.0	130.8	46.5	6.5	2.5	198.0	261.6	328.0	284.0	U3000801	UE300000	US300080
UI 300/90	SS	100.0	90.0	300.0	40.0	130.8	46.5	6.5	2.5	198.0	271.6	328.0	284.0	U3000901	UE300000	US300090
UI 300/100	SS	100.0	100.0	300.0	40.0	130.8	46.5	6.5	2.5	198.0	281.6	328.0	284.0	U3001001	UE300000	US300100
UI 300/110	SS	100.0	110.0	300.0	40.0	130.8	46.5	6.5	2.5	198.0	291.6	328.0	284.0	U3001101	UE300000	US300110
UI 300/120	SS	100.0	120.0	300.0	40.0	130.8	46.5	6.5	2.5	198.0	301.6	328.0	284.0	U3001201	UE300000	US300120
UI 300/130	SS	100.0	130.0	300.0	40.0	130.8	46.5	6.5	2.5	198.0	311.6	328.0	284.0	U3001301	UE300000	US300130
UI 300/140	SS	100.0	140.0	300.0	40.0	130.8	46.5	6.5	2.5	198.0	321.6	328.0	284.0	U3001401	UE300000	US300140
UI 300/150	SS	100.0	150.0	300.0	40.0	130.8	46.5	6.5	2.5	198.0	331.6	328.0	284.0	U3001501	UE300000	US300150
UI 300/160	SS	100.0	160.0	300.0	40.0	130.8	46.5	6.5	2.5	198.0	341.6	328.0	284.0	U3001601	UE300000	US300160

Standard materials: Nylon 66 glass reinforced

Dimensions in millimetres

Most products are available direct from stock with same day despatch - please contact sales for details

