



A Range Coil Bobbins for UK/USA Format Laminations

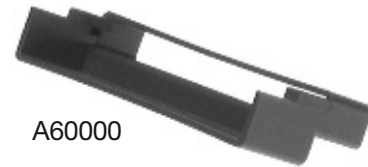
Terminal Covers & Insulation Covers
UK Patterns 35,147, 29, 196 & 78
USA EI75, EI87, EI100, EI112 & EI125

Section 3

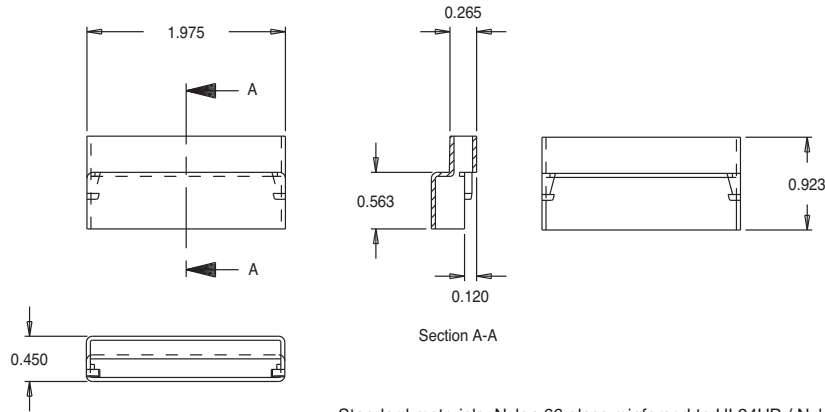
A RANGE 6 WAY TERMINAL COVER

For 29 & 196 A Range Bobbins (US 100 & 112)

For use with A range bobbins with 6 terminal pockets



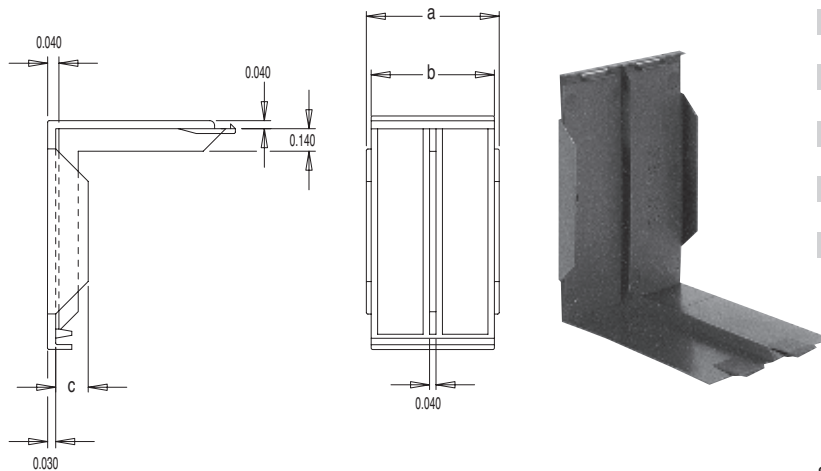
A60000



Description	Part No.
6 way terminal cover for A Range 29 & 196 (US 100 & 112) Bobbins	A60000

Standard materials: Nylon 66 glass reinforced to UL94HB / Nylon 66 glass reinforced to UL94V0. Dimensions in inches.

A RANGE FULL INSULATION COVERS/SHROUDS



Bobbin size	lam. size	a	b	c	Part No.
35 x 3/4	EI 75	1.115	1.055	0.240	A02600 [†]
35 x 1	EI 75	1.115	1.055	0.240	A03200 [†]
147 x 7/8	EI 87	1.300	1.240	0.246	A04000 [†]
147 x 1	EI 87	1.300	1.240	0.246	A04500 [†]
147 x 1 1/4	EI 87	1.300	1.240	0.246	A05000 [†]
29 x 1	EI 100	1.490	1.430	0.250	A05600 [†]
29 x 1 1/4	EI 100	1.490	1.430	0.250	A06400 [†]
29 x 1 1/2	EI 100	1.490	1.430	0.250	A06900 [†]
29 x 2	EI 100	1.490	1.48	0.25	VM0782 [†]
196 x 1 1/8	EI 112	1.675	1.615	0.246	A07700
78 x 1 1/4	EI 125	1.854	1.794	0.240	A09600

Standard materials: Nylon 66 to UL94V2 / Nylon 66 to UL94V0 and PET to UL94V0 or 30% GF Nylon 66 where indicated [†].
Dimensions in inches.

Insulation covers are sold in pairs.