

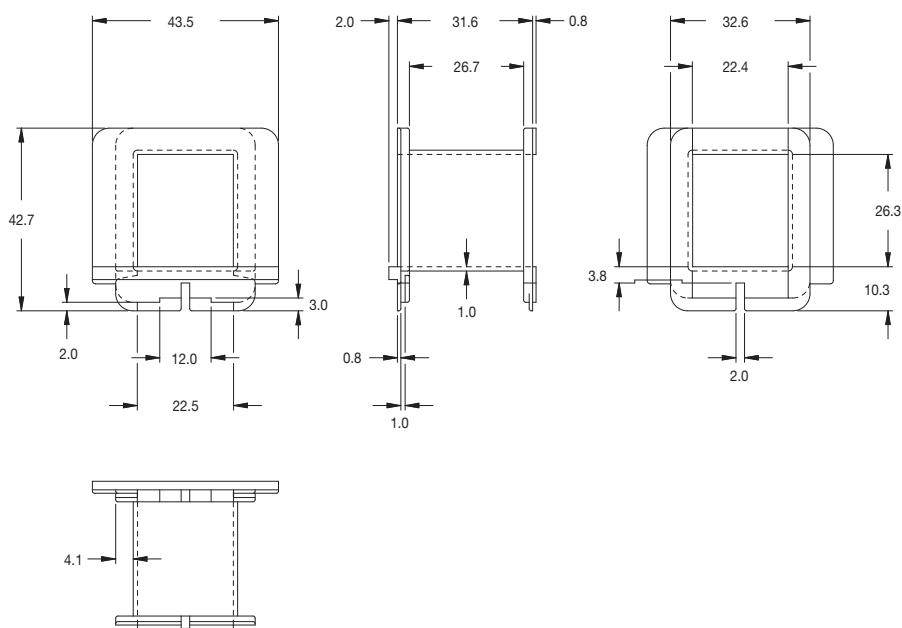


M Range

Coil Bobbins for Metric Laminations

E166

EI 66 X 26.2 PRIMARY BOBBIN (Use with Secondary Bobbin VM0101)

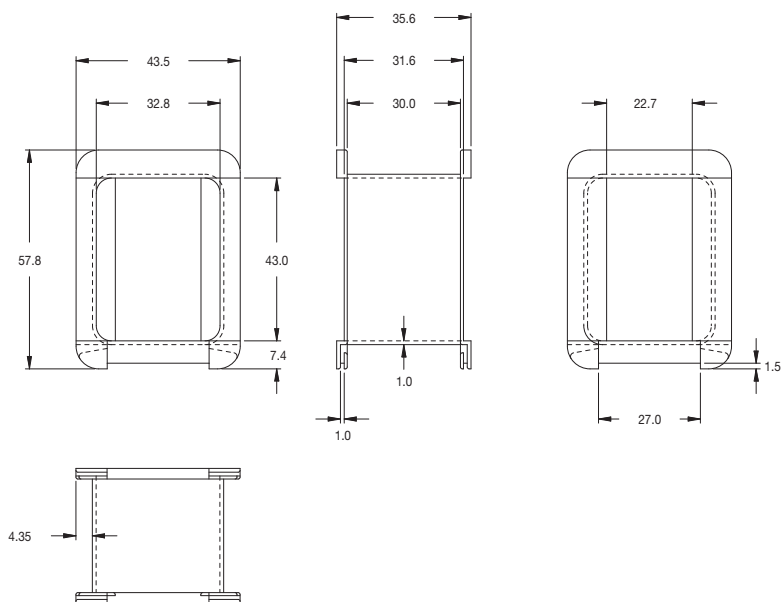


VM0100GNNBLK



Primary & Secondary Assembled

EI 66 X 26.2 SECONDARY BOBBIN (Use with Primary Bobbin VM0100)



VM0101GNNBLK

Bobbin Size	Description	Part No.
EI 66 x 26.2	Primary Bobbin	VM0100
EI 66 x 26.2	Primary Bobbin	VM0101

Standard materials: Nylon 66 glass reinforced to UL94HB/Nylon 66 glass reinforced to UL94V0
Dimensions in millimetres.