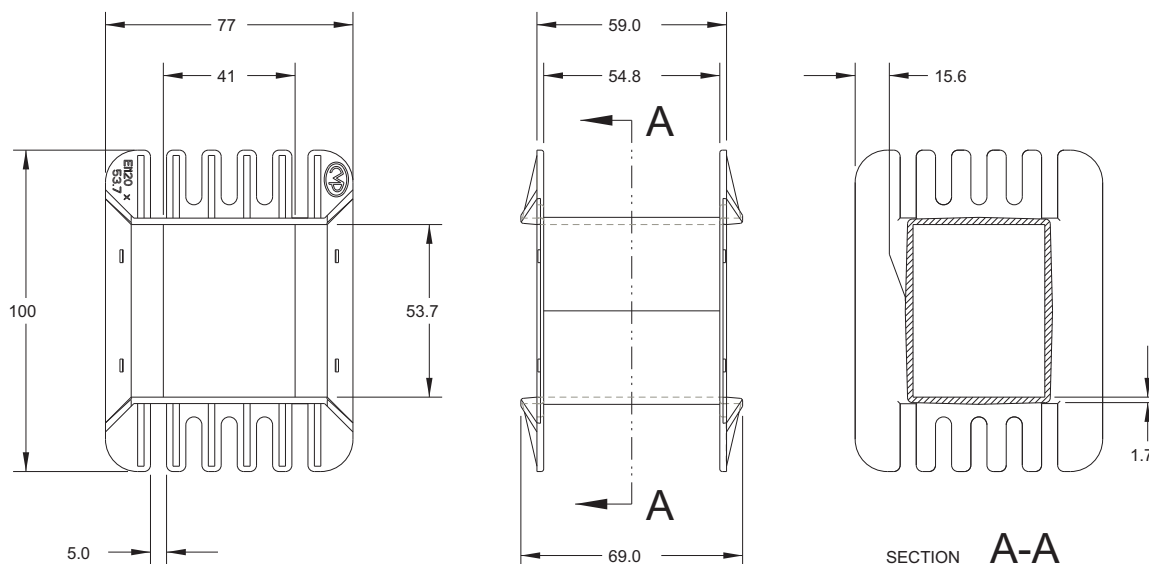




M Range Coil Bobbins for Metric Laminations

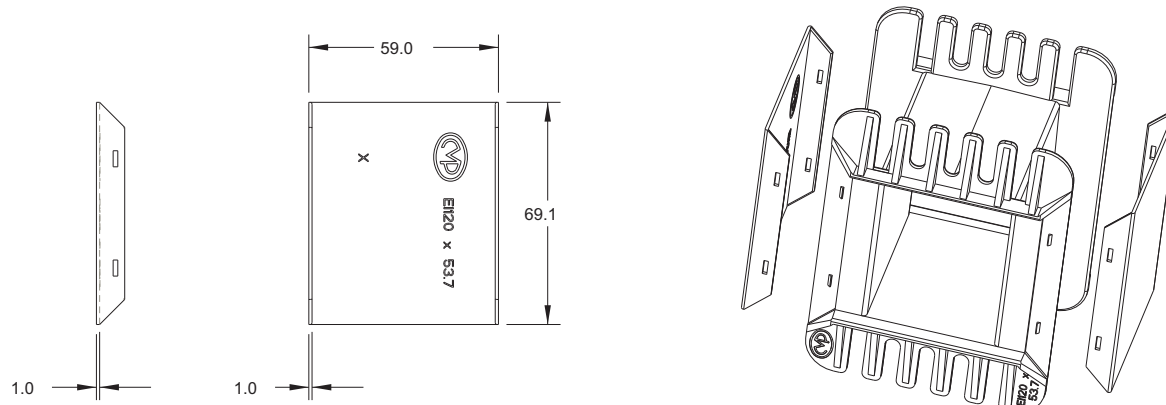
EI120
Single Section (SS) & Double Section (DS) - No Terminals
Coil Bobbin with Half Insulation Covers

EI 120 BOBBIN



Section 4

EI 120 HALF INSULATION COVERS



Insulation covers are sold in pairs

Description	Part No.
EI120 x 53.7mm Single Section Coil Bobbin	VM0790
EI120 x 53.7mm Half Insulation Cover	VM0791

Standard material: Bobbin - glass filled Nylon 66 to UL94HB or V0,
Covers - Nylon 66 to UL94V2 or UL94VO. Dimensions in millimetres.