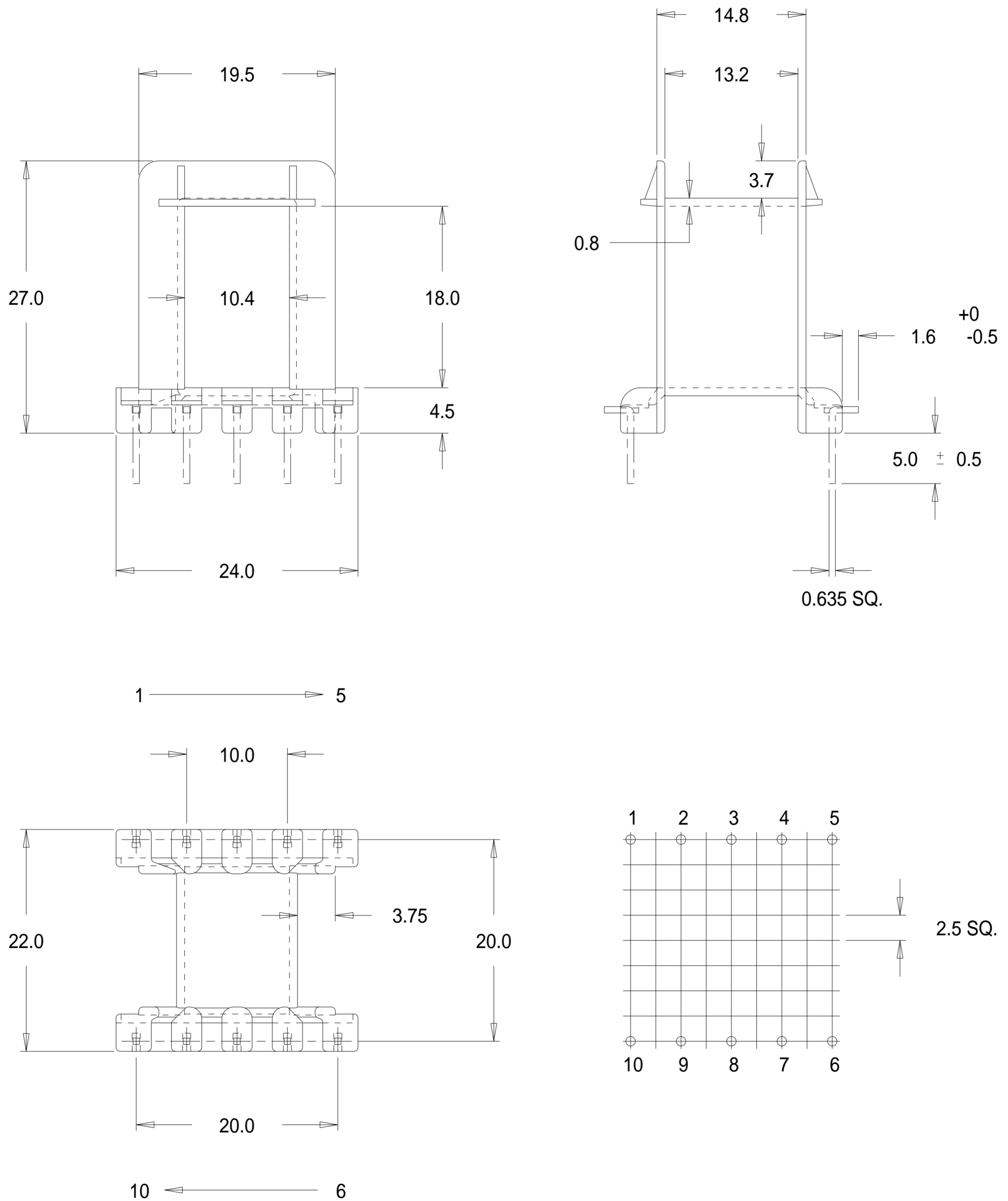


Part No. N30181

EI30 x 18.0 Low Profile Single Section

'N' Range Bobbin.



Dimensions in millimetres.



Issue 1