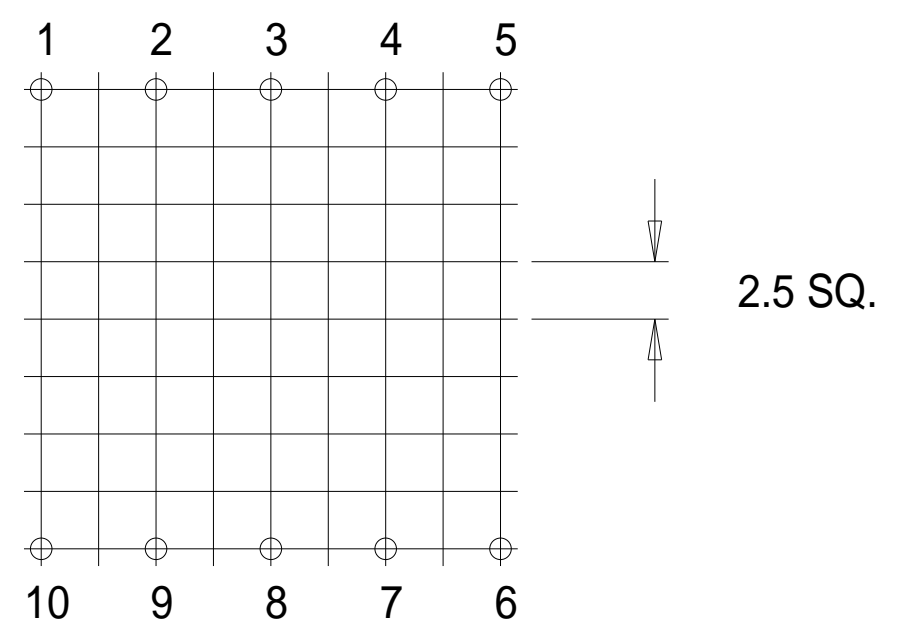
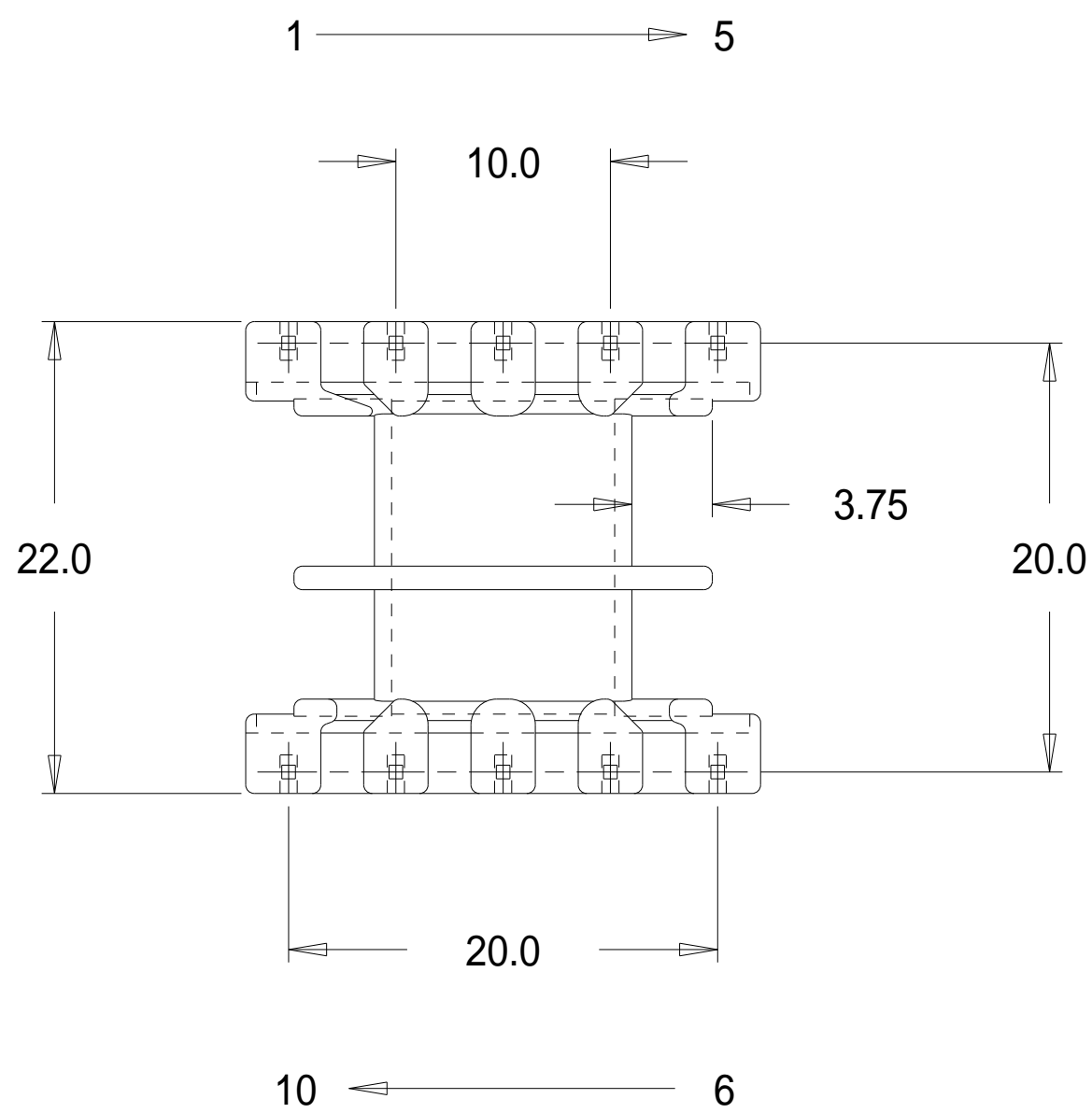
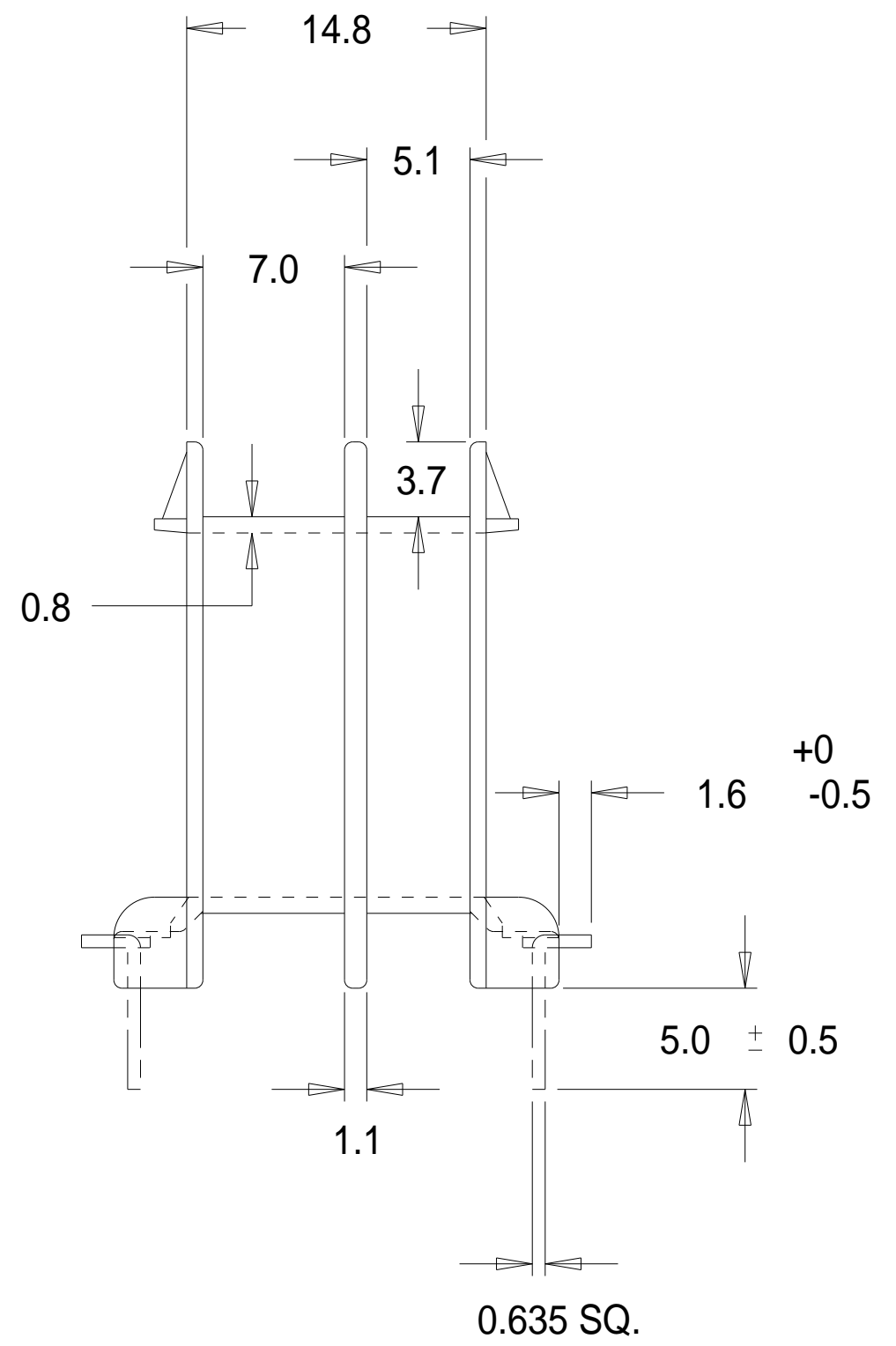
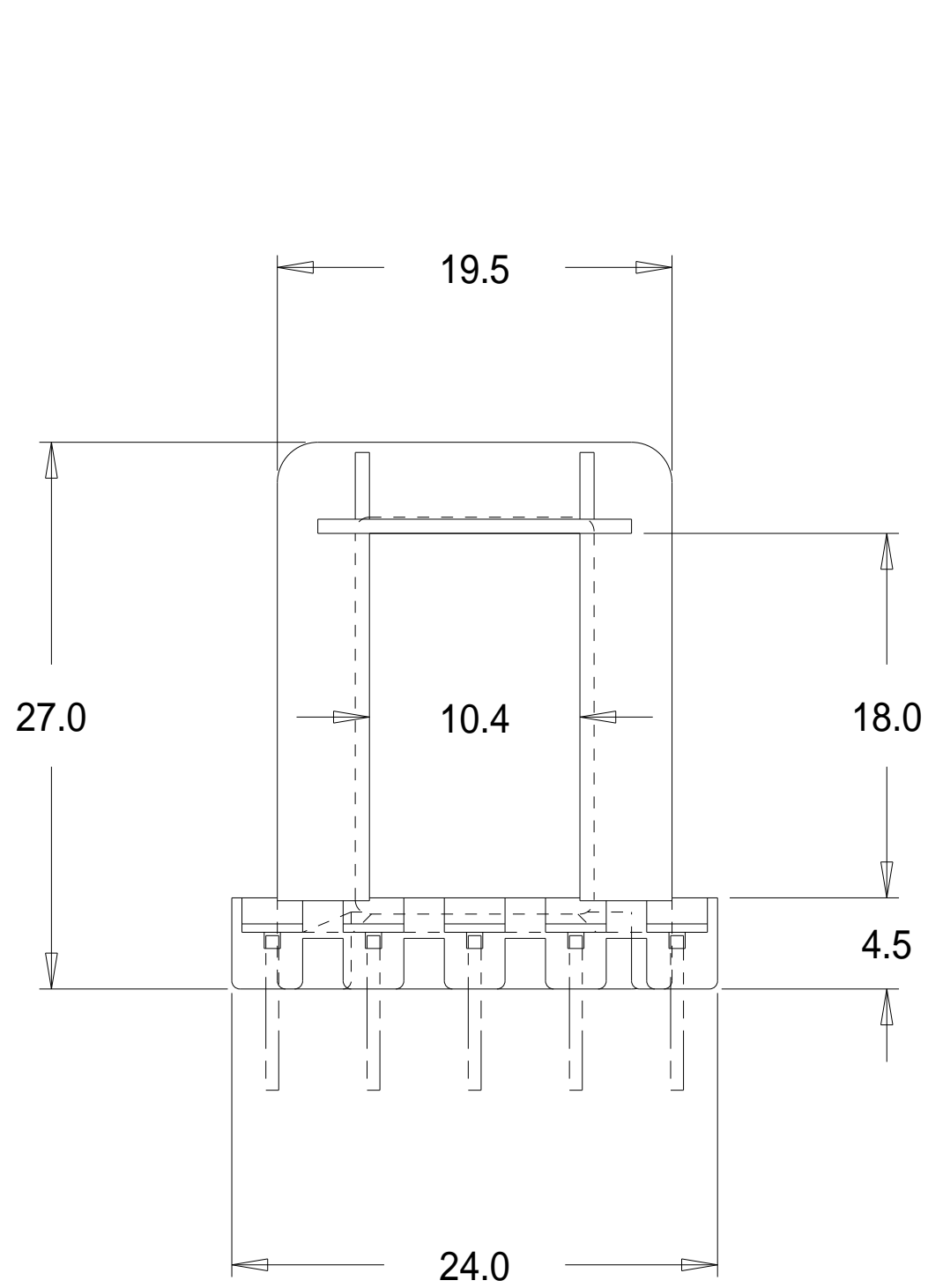


Part No. N30182

EI30 x 18.0 Low Profile Double Section

'N' Range Bobbin.



Dimensions in millimetres.

