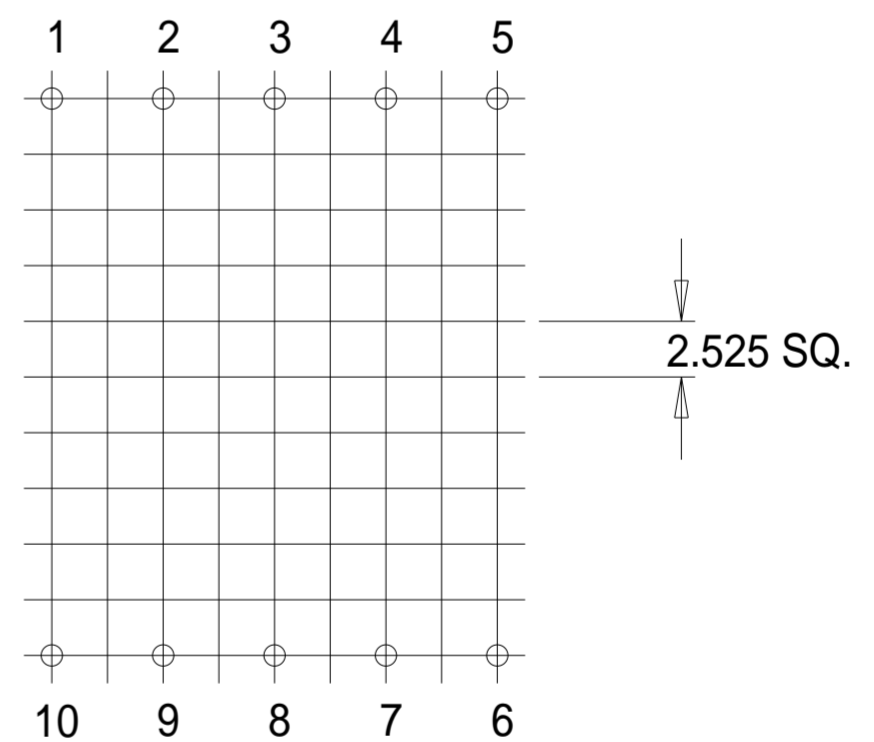
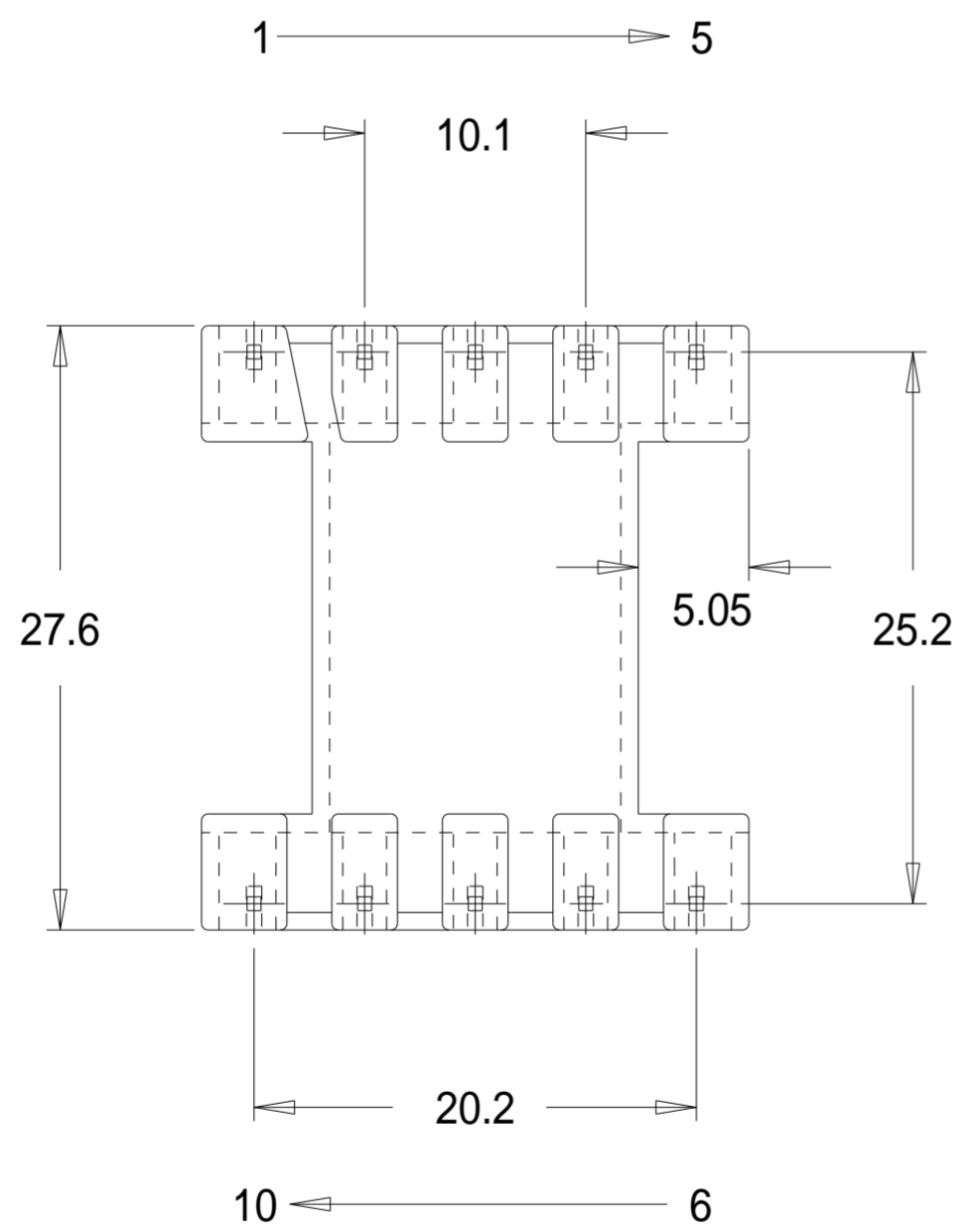
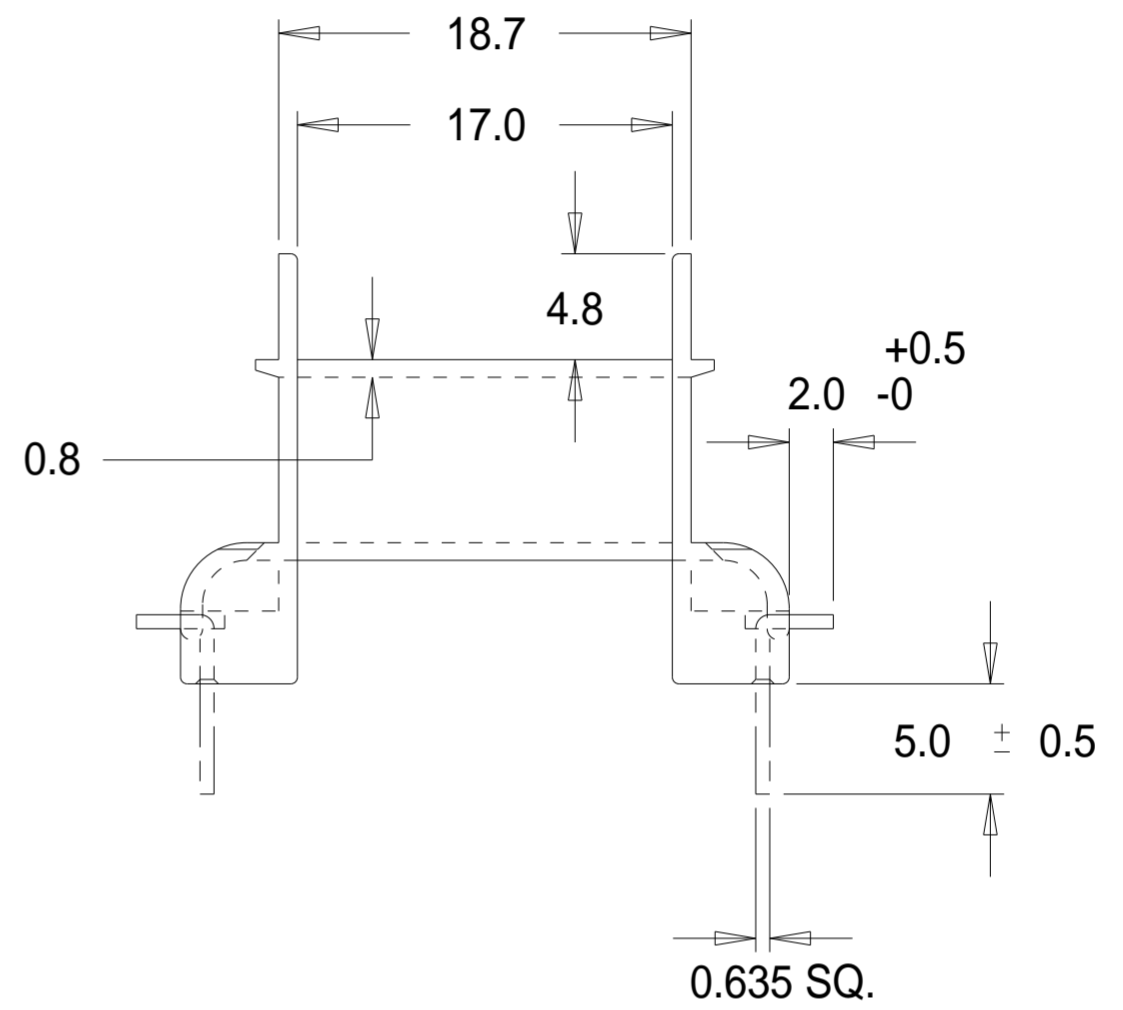
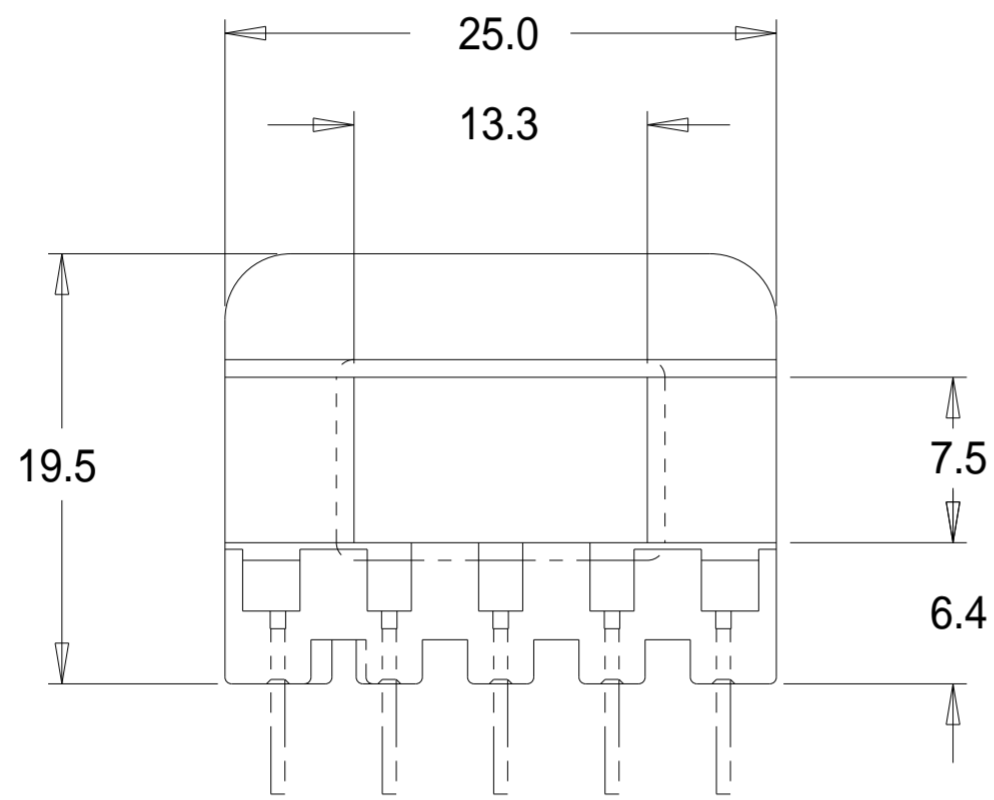


Part No. N38071
 EI38 x 7.5 Low Profile Single Section
 'N' Range Bobbin



Dimensions in millimetres.

