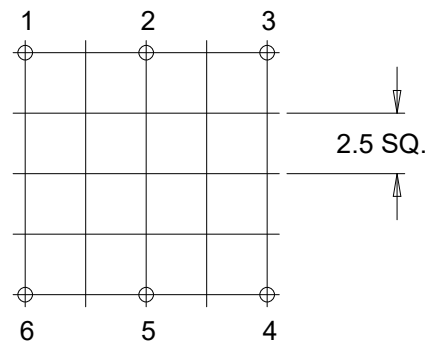
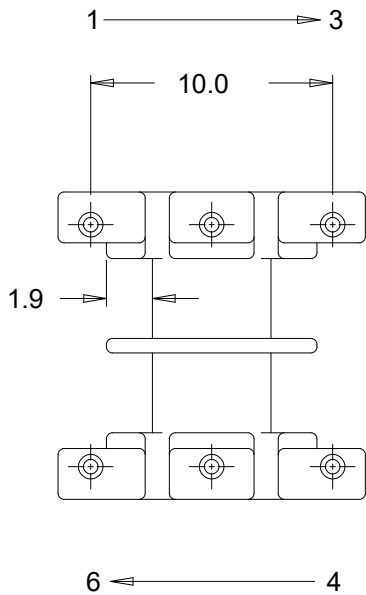
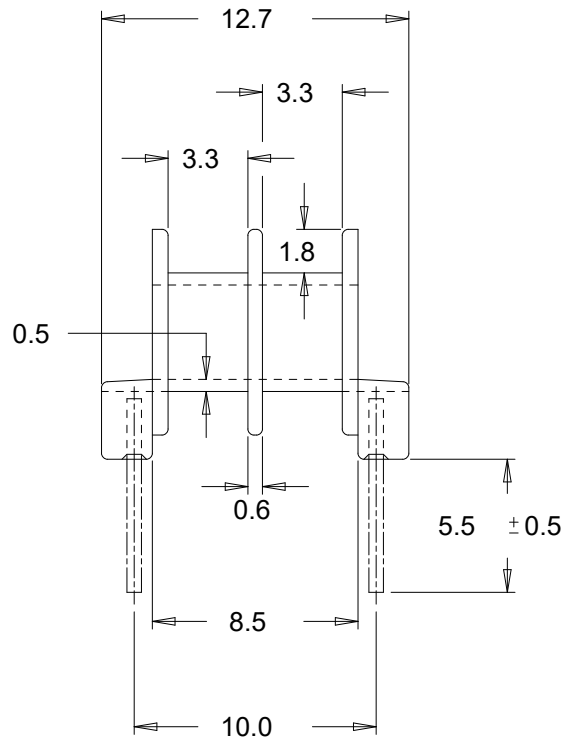
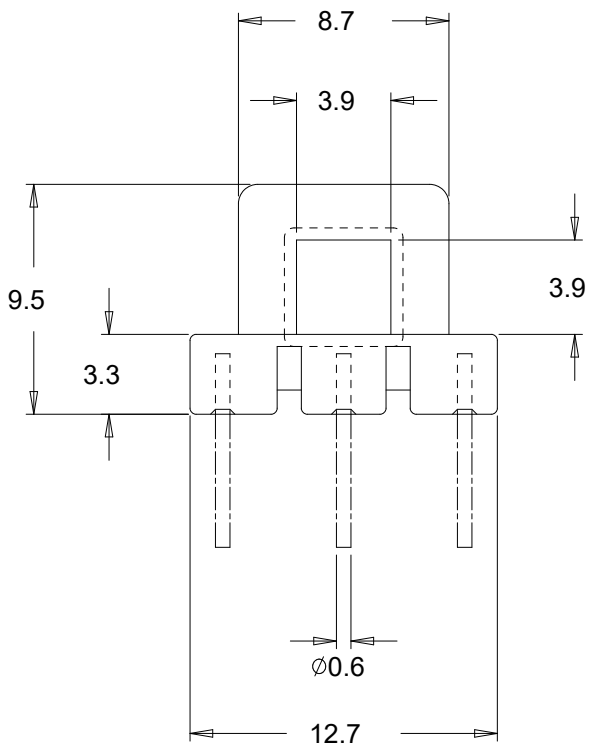


Part No. FE0011

EF 12.6/7/4 Horizontal Double Section Bobbin



Dimensions in millimetres.

