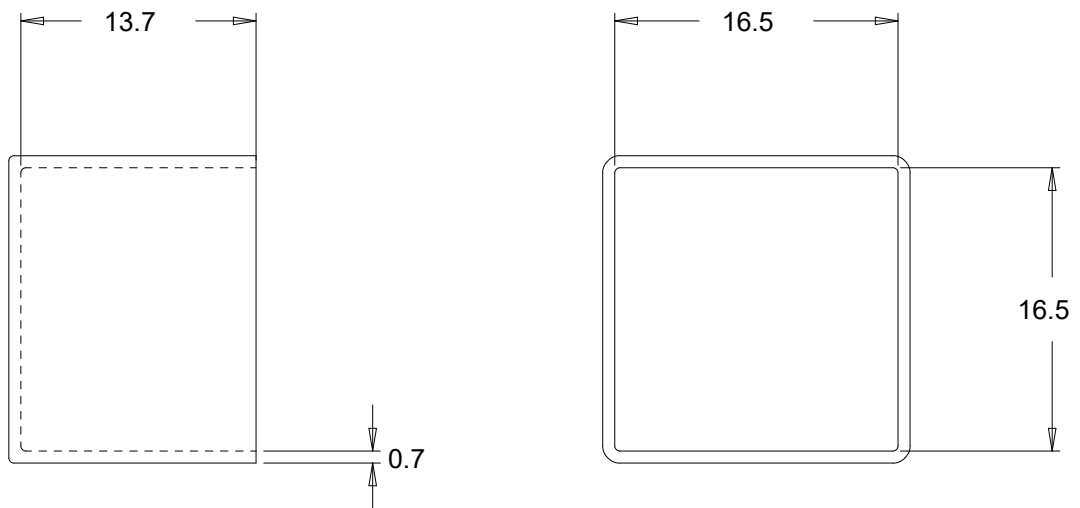


Part No. FE0050  
EF 16/8/5 Horizontal Box



Dimensions in millimetres.

