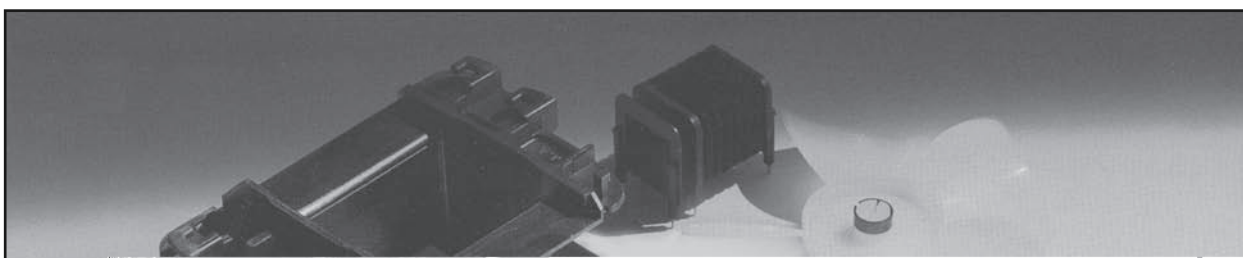




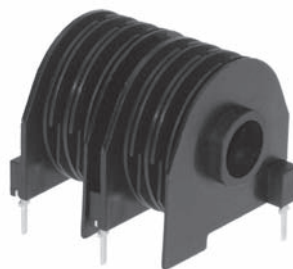
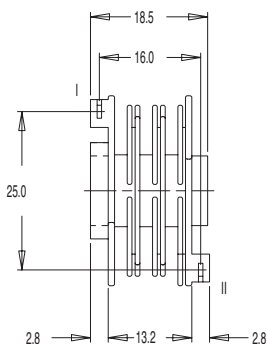
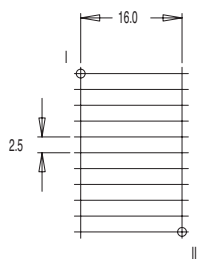
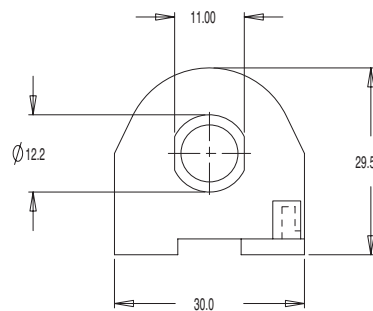
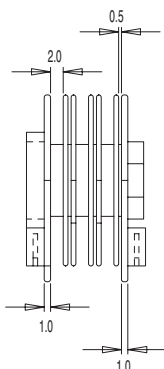
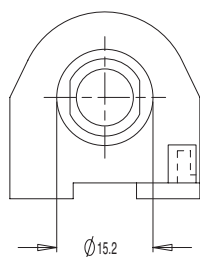
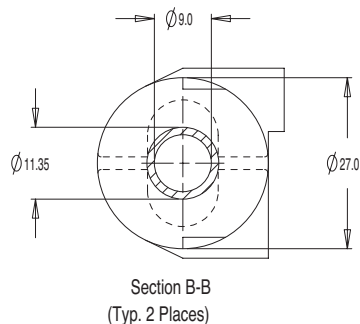
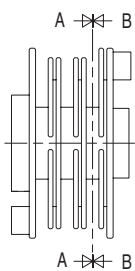
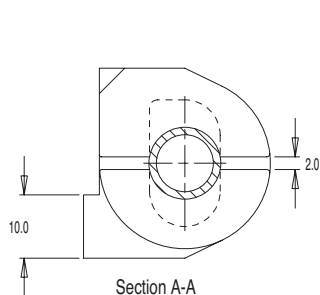
CUSTOM & MISCELLANEOUS

- Design service available
- Product and material consultancy
- Unique modular tooling
- Advanced moulding technology for optimum yields
- Rapid prototype service available
- Custom technical mouldings
- Round wire, square wire and pressed terminals available
- Custom solutions achieved within short time scales

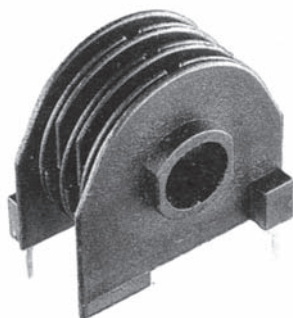




GAS IGNITION - 3 CHAMBER
Ø9.0 BORE



2 Parts Connected



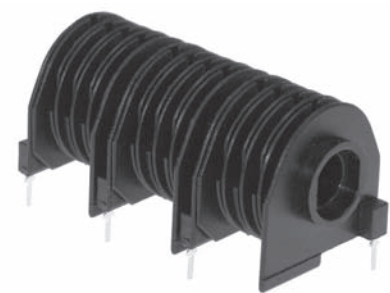
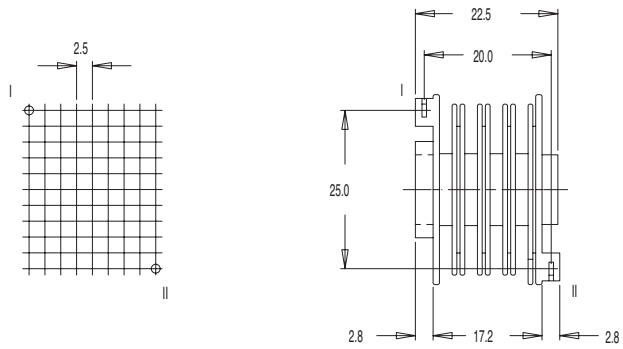
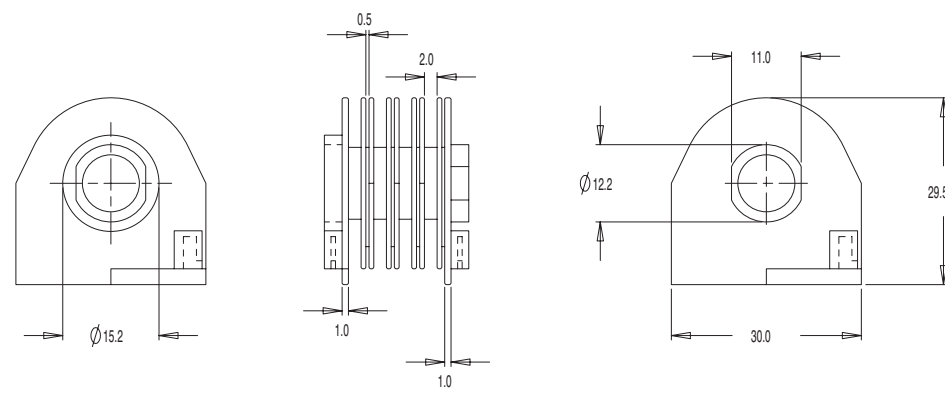
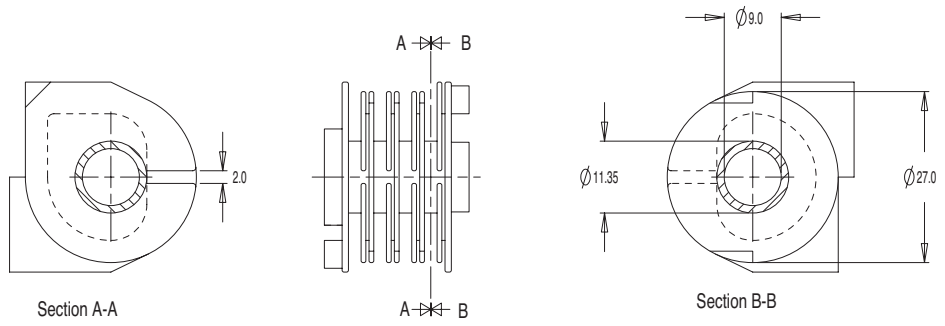
Description	Type	Terminal type	No. of terminals available	Part No.
Gas Ignition	3 chamber	TBS 600 series	2	GI6500

Standard materials: Nylon 66 glass reinforced Dimensions in millimetres

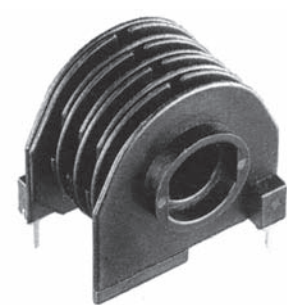


Coil Bobbins Miscellaneous

GAS IGNITION - 4 CHAMBER Ø9.0 BORE



3 Parts Connected



Description	Type	Terminal type	No. of terminals available	Part No.
Gas Ignition	4 chamber	TBS 600 series	2	GI6510

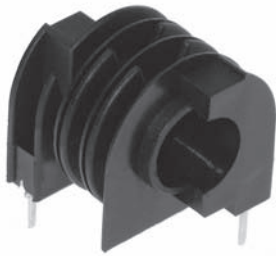
Standard materials: Nylon 66 glass reinforced Dimensions in millimetres

Most products are available direct from stock with same day despatch - please contact sales for details

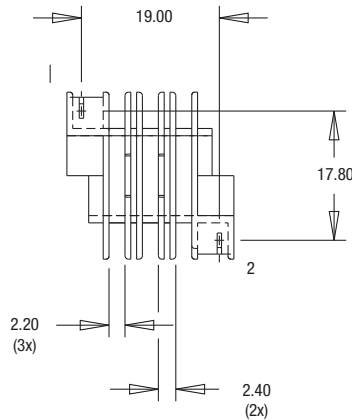
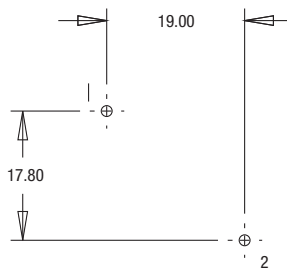
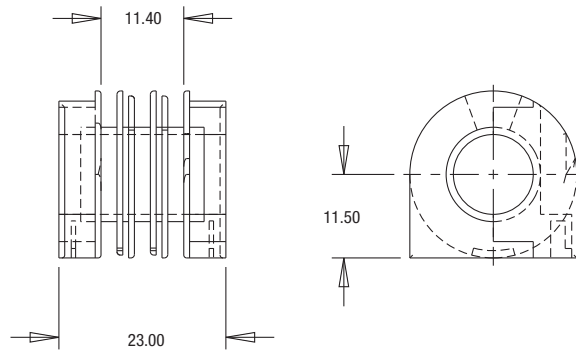
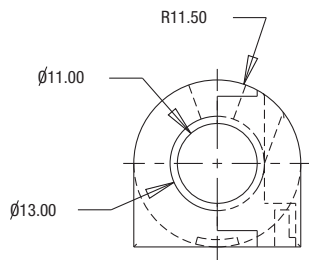
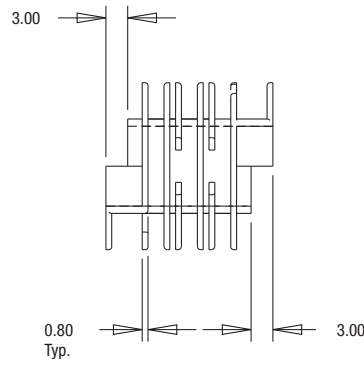




GAS IGNITION - 3 CHAMBER
Ø11.0 BORE



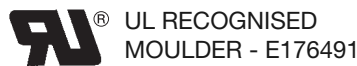
GI4700GNNBLK0001



Description	Type	Terminal type	No. of terminals available	Part No.
Gas Ignition	3 chamber	TBS 600 Series	2	GI4700

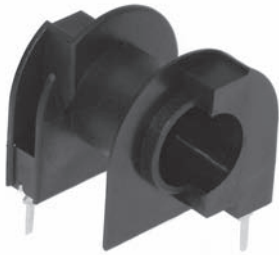
Standard materials: Nylon 66 glass reinforced Dimensions in millimetres

For further technical information please contact sales
Tel: +44 (0) 116 264 3850 Fax: +44 (0) 116 264 3851
Email: enquiries@milesplatts.co.uk
Web: www.milesplatts.co.uk

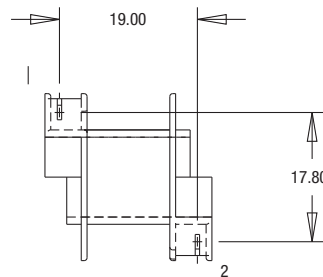
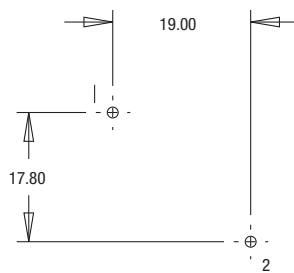
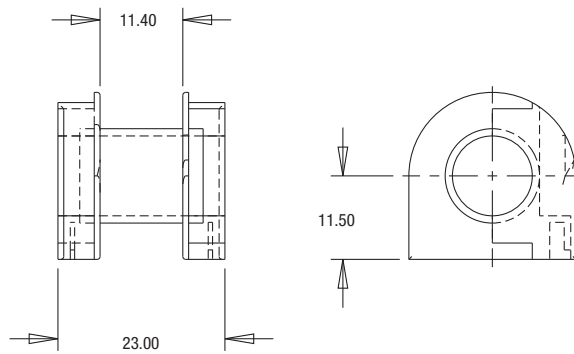
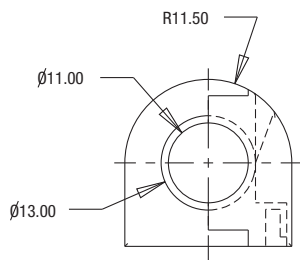
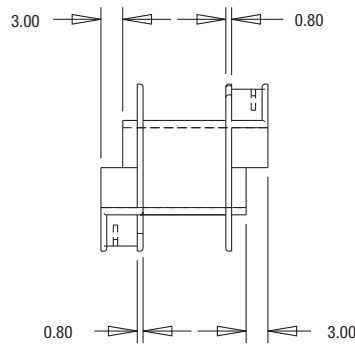




GAS IGNITION - SINGLE CHAMBER Ø11.0 BORE



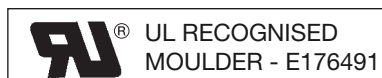
GI4740GNNBLK0001



Description	Type	Terminal type	No. of terminals available	Part No.
Gas Ignition	Single chamber	TBS 600 Series	2	GI4740

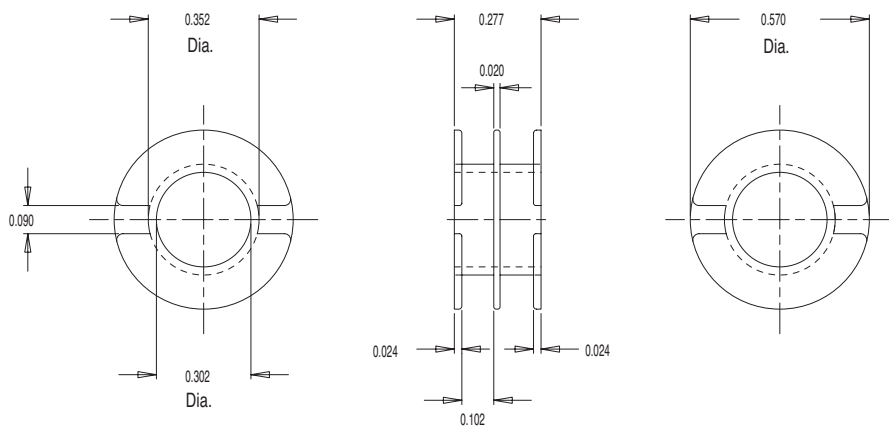
Standard materials: Nylon 66 glass reinforced Dimensions in millimetres

For further technical information please contact sales@milesplatts.co.uk or www.milesplatts.co.uk





5001



Description	Type	Terminal type	No. of terminals available	Part No.
5001	DS	-	-	VM1200

Standard materials: Nylon 66 glass reinforced
Dimensions in inches

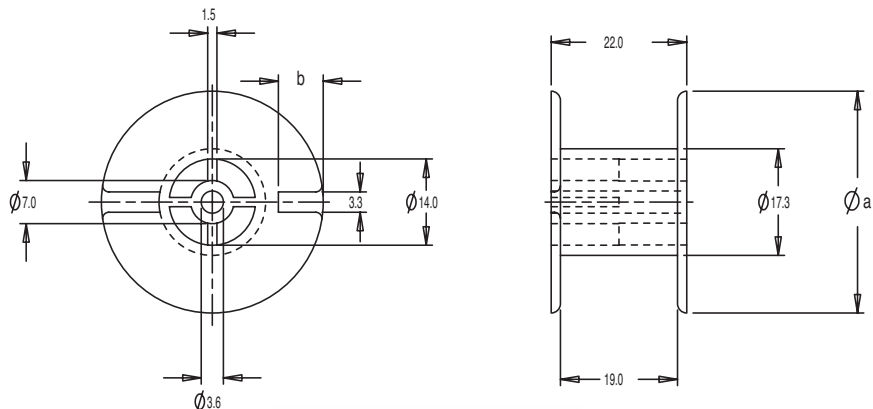
SOLENOID BOBBINS

Miles-Platts hold particular expertise in the manufacture of solenoid bobbins for a variety of industries including automotive, medical, industrial, commercial & vending.

As each bobbin is customer specific and designed specifically for the individual application it is not possible to show all of the products here.

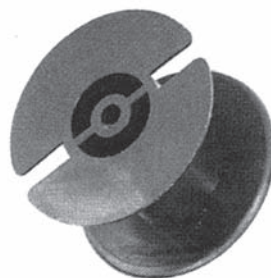
For further details on solenoid bobbin design please refer to sales@milesplatts.co.uk

The following bobbins are standard products.



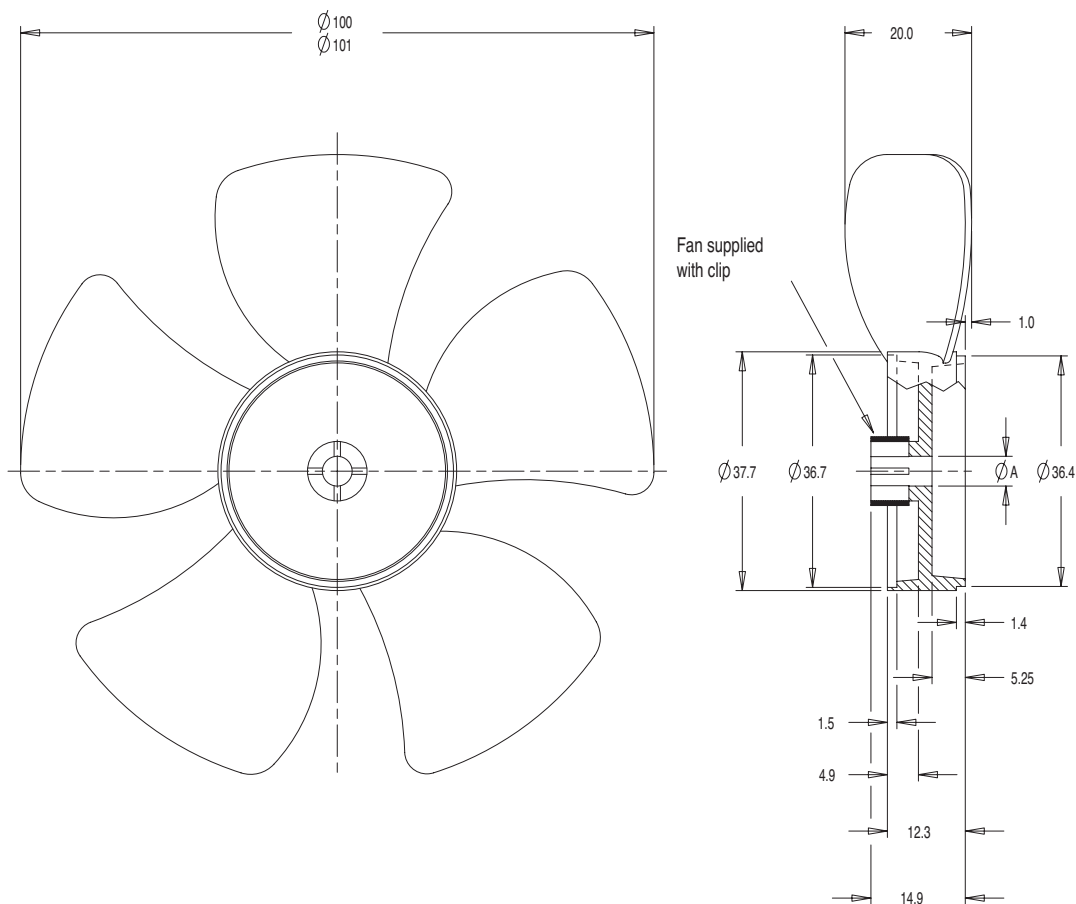
Bobbin type	Øa	b	Part No.
4275 SOLENOID A	35.5	9.1	VM1100
4275 SOLENOID B	50.4	6.5	VM1101
4275 SOLENOID C	69.5	6.5	VM1102

Standard materials: Nylon 66 Dimensions in millimetres





FANS



Description	Bore Dia. A	Part No.
Fan	3.5	VM4610
Fan	3.85	VM4620
Fan	4.7	VM4630
Fan	4.5	VM4640

Standard materials: Nylon 66 Dimensions in millimetres