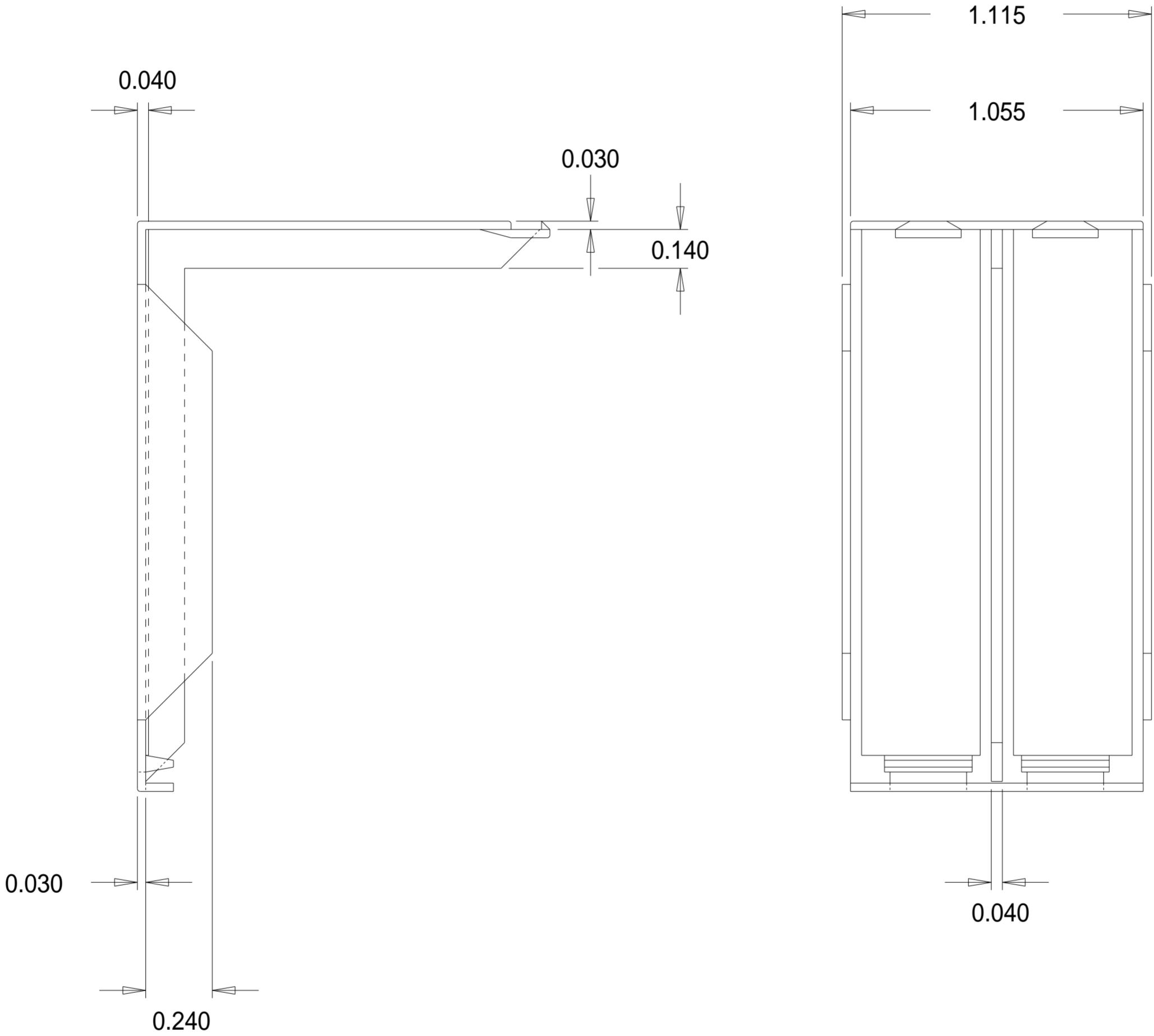


Part No. S03200

35 x 1" 'S' Range Full Insulation Cover



Dimensions in inches.

