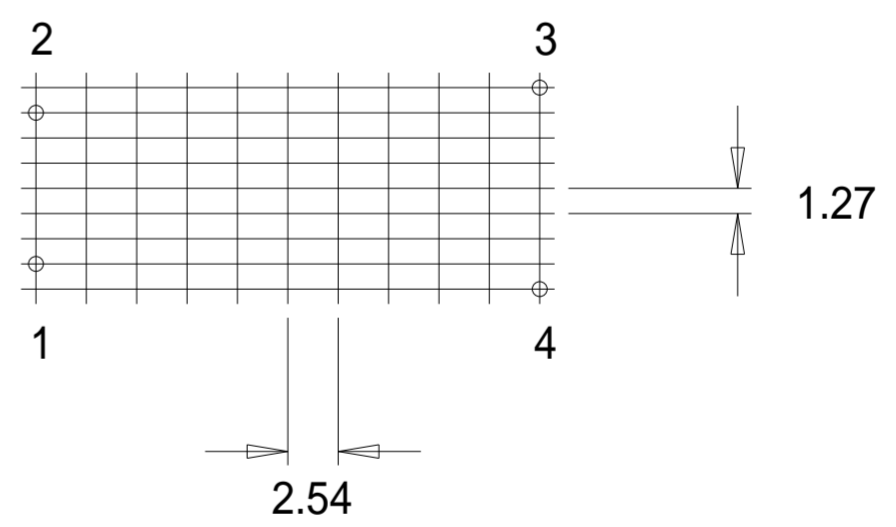
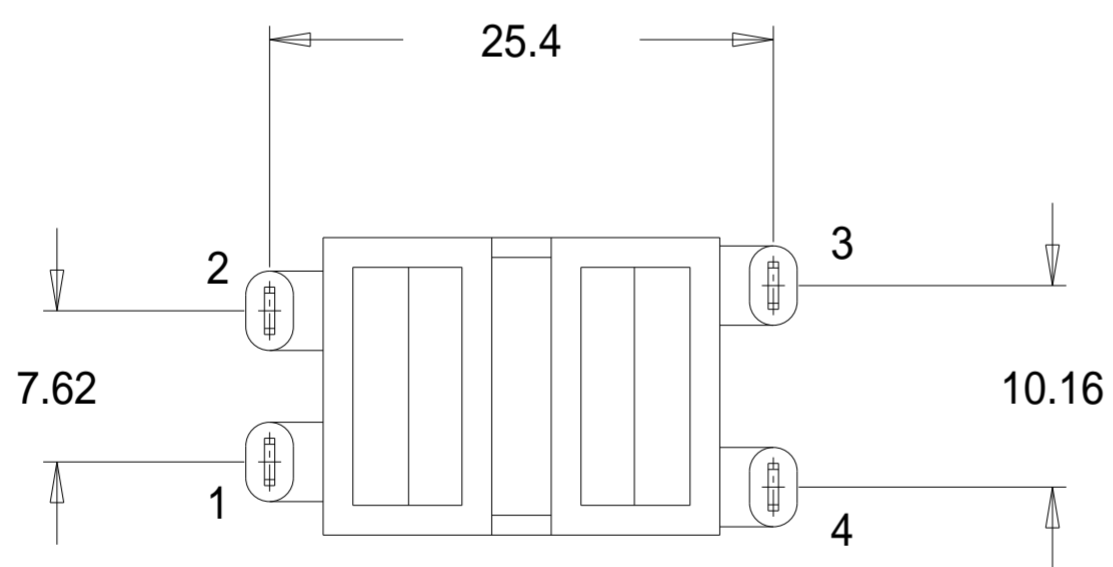
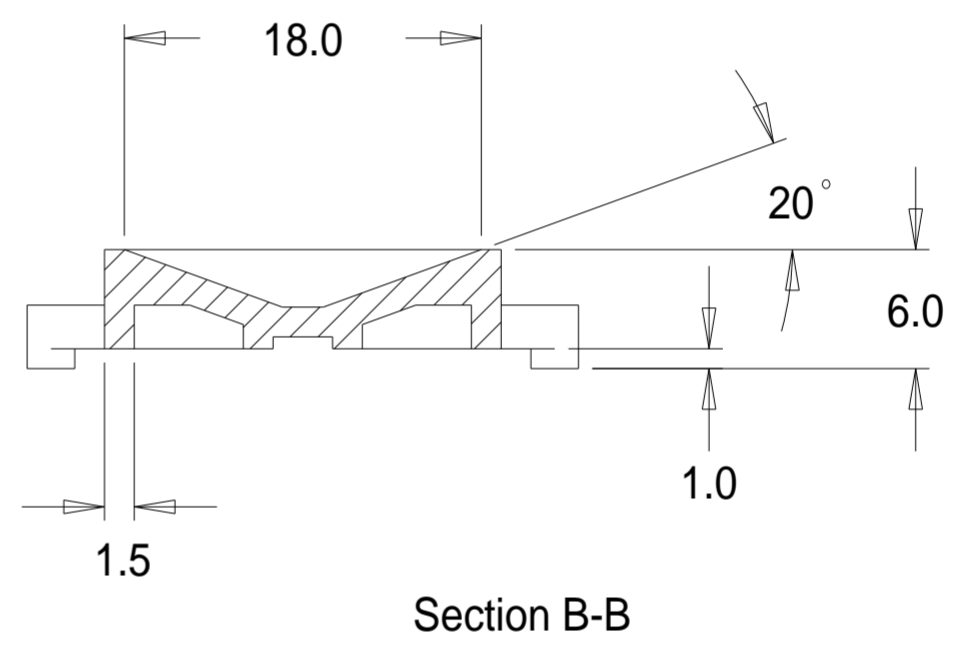
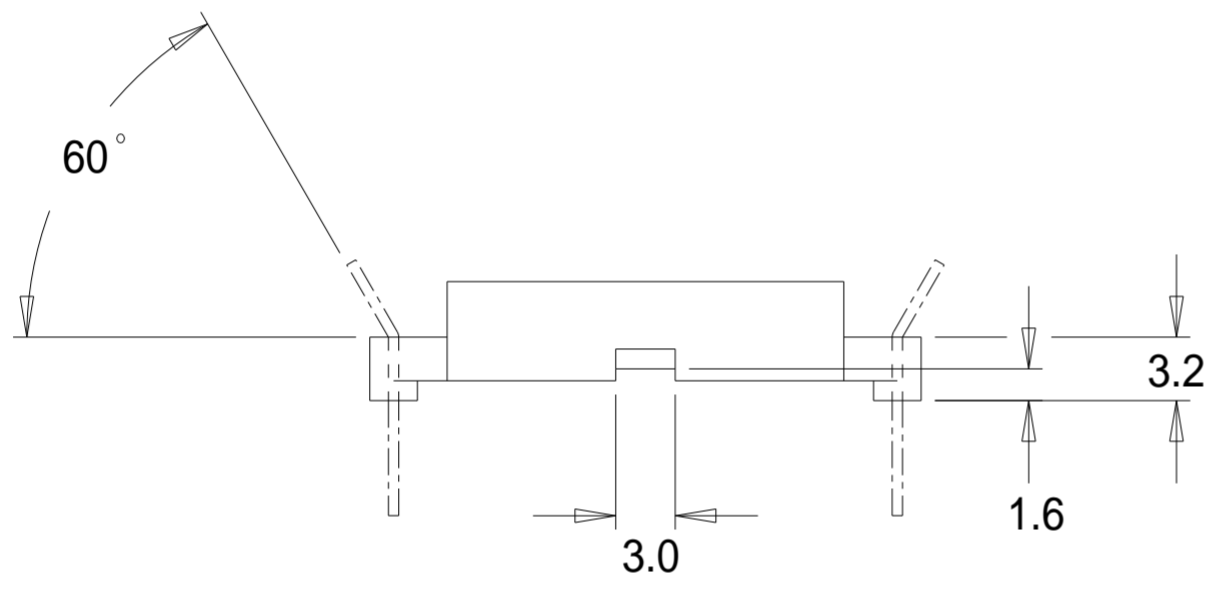
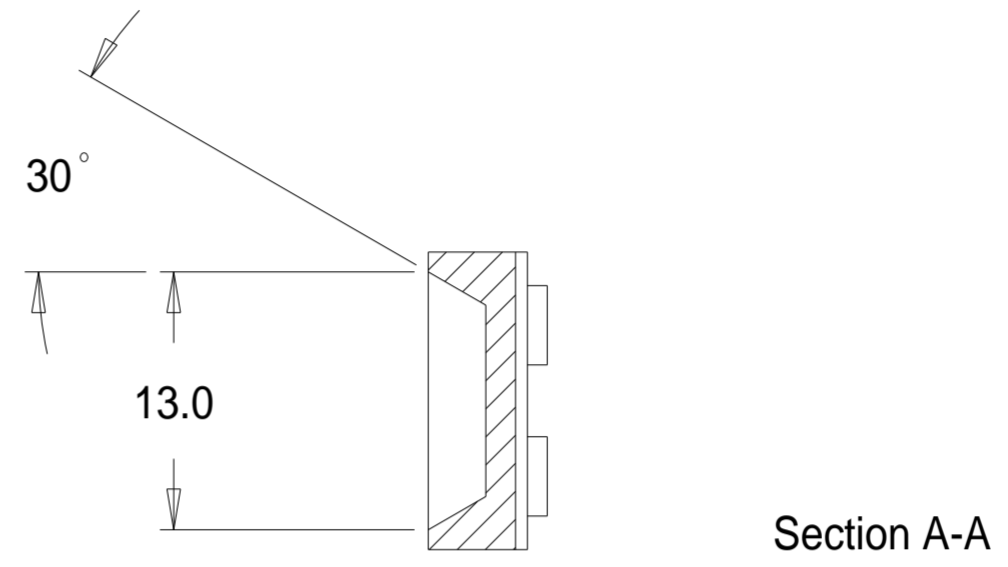
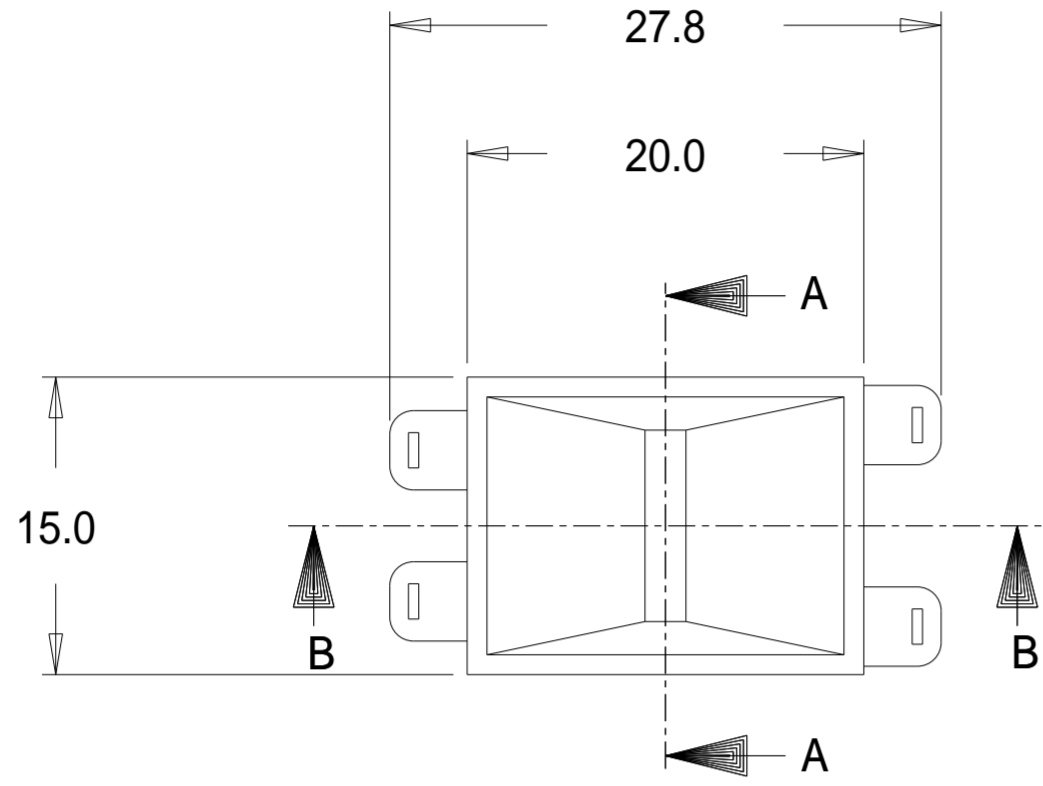


Part No. TR0020  
Toroid Mount (72959)



Dimensions in millimetres.

